

## DLM20-IN

Compact inline load cells for industrial applications

DLM20-IN.###.TP3.M4

### Overview

- Tension and compression load from 50 N
- Non-linearity < 0.2 %
- Small outer diameter for limited space conditions
- One-sided stop with integrated hexagon for easy mounting
- Sensor body made of stainless steel with protection class IP68
- Fully welded sensor design
- Durable with 100% working stroke



### Technical data

#### general data

Nominal force	50 ... 1000 N
Non-linearity	< 0.2 %
Repeatability	< 0.1 %
Temperature effect zero	< 0.2 % / 10K
Zero point deviation	< 20 %
Type	Inline
Mechanical mounting	M4 thread / M4 thread

#### electrical data

Nominal sensitivity	1 mV/V
Bridge resistance	1000 Ω
Supply voltage	0.5 ... 12 VDC
Signal polarity positive	Tension

#### mechanical data

Overload	150 %
Breaking load	200 %

#### mechanical data

Nominal displacement	15 μm
Weight	22 g
Material sensor body	Stainless steel, 1.4542
Fatigue strength	>10 Mio cycles at 0...100% FS
Electrical connection	M5, 4 pin, male

#### environmental conditions

Operating temperature range	-40 ... 85 °C
Storage temperature range	-40 ... 85 °C
Protection class EN 60529, ISO20653	IP 68

#### compliance and approvals

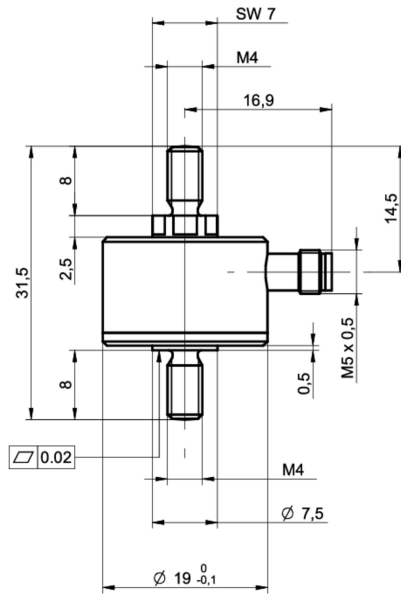
EMC	EN 61000-6-2 EN 61000-6-3 EN 61326-2-3
UL listed	E217824

# DLM20-IN

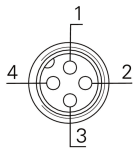
Compact inline load cells for industrial applications

DLM20-IN.###.TP3.M4

## Dimensional drawings



## Electrical connection



- 1 +Vs
- 2 Sig +
- 3 -Vs
- 4 Sig -

## Ordering key - Configuration possibilities see website

	DLM	20	-	IN	.	###	.	T	P3	.	M4
<b>Product group</b>	Membrane force sensor										
	DLM										
<b>Size category</b>	20										
		20									
<b>Type</b>	Inline										
				IN							
<b>Nominal force</b>	50 N										
											500
	100 N										
											101
	200 N										
											201
	500 N										
											501
	1 kN										
											102
<b>Measuring direction positive</b>	Tension										
											T
<b>Output signal</b>	Nominal sensitivity 1.00 mV/V										
											P3
<b>Electrical connection</b>	M5, 4 pin, male										
											M4