



### Product highlight

- For corrosive gasses and liquids
- Class 1 according to EN 837-1
- Wetted parts: Stainless steel
- Lloyds Register Approval
- Safety version S3 according to EN 837-1
- Option: Case material 1.4404 (316L) for aggressive atmosphere



### Technical data

#### Housing

Protection rating (EN 60529)	■ IP52
Dial	■ White, aluminium
Pointer	■ Black, aluminium
Safety according to EN 837-1	■ S3 ■ Safety pattern gauge with baffle wall and elastomer blow-out back
Window material	■ Laminated safety glass
Window gasket	■ Elastomer
Movement material	■ Stainless steel
Nominal size	■ 150 mm
Case material	■ Stainless steel 1.4301 / AISI 304 ■ Stainless steel 1.4404 / AISI 316L, optional
Bezel ring material	■ Stainless steel 1.4301 / AISI 304 ■ Stainless steel 1.4404 / AISI 316L, optional

#### Temperature

Ambient temperature	■ -20°C ... +70°C
Storage temperature	■ -40°C ... +70°C
Media temperature	■ -40°C ... +200°C

#### Wetted parts

Process connection	■ G1/4" ■ G1/2" ■ 1/4" NPT ■ 1/2" NPT
--------------------	--

Process connection material	■ Stainless steel 1.4404 / AISI 316L
-----------------------------	--------------------------------------

Bourdon tube	■ Stainless steel 1.4404 / AISI 316L
--------------	--------------------------------------

#### Performance

Pressure limitation ≤ 600 bar	■ Steady: 100 % of full scale value ■ Fluctuating: 90 % of full scale value ■ Short time: 130 % of full scale value
Pressure limitation > 600 bar	■ Steady: 75 % of full scale value ■ Fluctuating: 65 % of full scale value ■ Short time: 100 % of full scale value

Accuracy according to EN 837-1	■ Class 1
--------------------------------	-----------

Temperature coefficient	■ ± 0.4 % FS/10K
-------------------------	------------------

Type of pressure	■ Relative
------------------	------------

Min. measuring range	■ -1 ... 0 bar
----------------------	----------------

Max. measuring range	■ 0 ... 1600 bar
----------------------	------------------

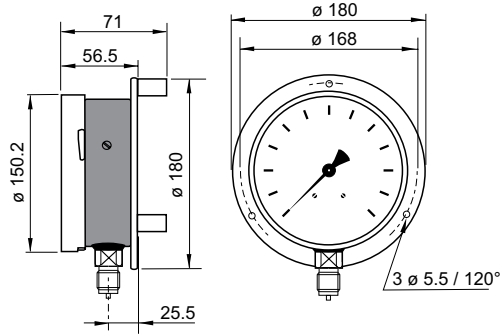
#### Weight

Gauge	■ 880 g
-------	---------

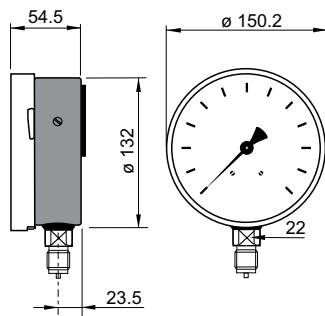
#### Approval / Conformities

ATEX	■ Ex II 2 GDc-IM2c ■ Further information can be found in the ATEX approval
------	---

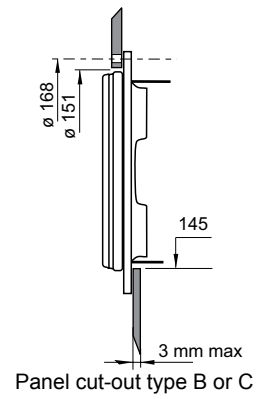
Technical drawings



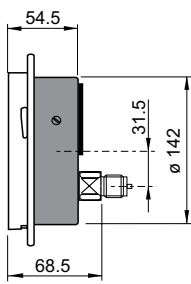
Type A (11)\*



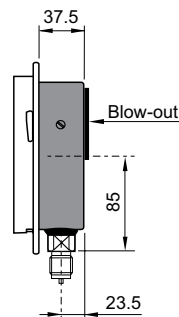
Type D (10)\*



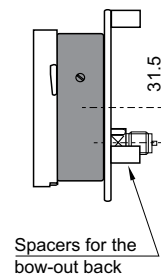
Panel cut-out type B or C



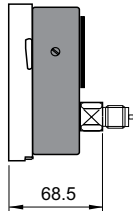
Type B (32)\*



Type C (12)\*



Type E (31)\*

**Technical drawings**


Type F (30)\*

**Pressure Ranges**

Code	Bar
B59	-1 ... 0
B72	-1 ... 0.6
B74	-1 ... 1.5
B76	-1 ... 3
B77	-1 ... 5
B79	-1 ... 9
B81	-1 ... 15
B82	-1 ... 24
B12	0 ... 0.6
B15	0 ... 1
B16	0 ... 1.6
B18	0 ... 2.5
B19	0 ... 4
B20	0 ... 6
B22	0 ... 10
B24	0 ... 16
B26	0 ... 25
B27	0 ... 40
B29	0 ... 60
B31	0 ... 100
B33	0 ... 160
B35	0 ... 250
B38	0 ... 400
B39	0 ... 600
B41	0 ... 1 000
B42	0 ... 1 600

Code	kPa
D59	-100 ... 0
D72	-100 ... 60
D74	-100 ... 150
D76	-100 ... 300
D77	-100 ... 500
D79	-100 ... 900
D81	-100 ... 1 500
D82	-100 ... 2 400
D12	0 ... 60
D15	0 ... 100
D16	0 ... 160
D18	0 ... 250
D19	0 ... 400
D20	0 ... 600
D22	0 ... 1 000
D24	0 ... 1 600
D26	0 ... 2 500
D27	0 ... 4 000
D29	0 ... 6 000
D31	0 ... 10 000
D33	0 ... 16 000
D35	0 ... 25 000
D38	0 ... 40 000
D39	0 ... 60 000
D41	0 ... 100 000
D42	0 ... 160 000

Code	kg/cm <sup>2</sup>
F59	-1 ... 0
F72	-1 ... 0.6
F74	-1 ... 1.5
F76	-1 ... 3
F77	-1 ... 5
F79	-1 ... 9
F81	-1 ... 15
F82	-1 ... 24
F12	0 ... 0.6
F15	0 ... 1
F16	0 ... 1.6
F18	0 ... 2.5
F19	0 ... 4
F20	0 ... 6
F22	0 ... 10
F24	0 ... 16
F26	0 ... 25
F27	0 ... 40
F29	0 ... 60
F31	0 ... 100
F33	0 ... 160
F35	0 ... 250
F38	0 ... 400
F39	0 ... 600
F41	0 ... 1 000
F42	0 ... 1 600

Code	psi
H59	-30" Hg ... 0
H73	-30" Hg ... 15
H75	-30" Hg ... 30
H2C	-30" Hg ... 60
H78	-30" Hg ... 100
H79	-30" Hg ... 150
H81	-30" Hg ... 220
H82	-30" Hg ... 300
H13	0 ... 10
H15	0 ... 15
H1C	0 ... 20
H17	0 ... 30
H19	0 ... 60
H21	0 ... 100
H22	0 ... 160
H23	0 ... 200
H25	0 ... 300
H26	0 ... 400
H27	0 ... 600
H30	0 ... 1 000
H31	0 ... 1 500
H34	0 ... 3 000
H38	0 ... 6 000
H40	0 ... 10 000
H41	0 ... 15 000
H1D	0 ... 20 000

**Configuration**

	MAN	7	-	x	x	0	.	xxx
<b>Product</b>	MAN Safety pressure gauge							
<b>Dimension</b>	MAN							
Nominal size 150 mm								7
<b>Case</b>								
Bottom conn., wall mounting								A
Back conn., panel mounting								B
Bottom conn., panel mounting								C
Bottom connection								D
Back connection, wall mounting								E
Back connection								F
Bottom conn., wall mo 1.4404								1
Back conn., panel mo 1.4404								2
Bottom conn, panel mo 1.4404								3
Bottom connction, 1.4404								4
Back connection, wall m 1.4404								5
Back connection, 1.4404								6
<b>Process connection</b>								
G 1/4								2
G 1/2								3
1/4 - 18 NPT								5
1/2 - 14 NPT								6
<b>Damping fluid</b>								
without								0
<b>Measuring range</b>								
bar (EN standard) <sup>(1)</sup>								Bxx
Psi								Hxx
kPa								Dxx
MPa (EN standard)								Exx
kg/cm <sup>2</sup>								Fxx

**Stockitems**

<sup>(1)</sup> P ≥ 1.6 bar Available standard pressures ranges, see tables on page 2. For ranges not listed, please contact Baumer

<sup>(2)</sup> For fittings > 1/4"

<sup>(3)</sup> For pressure gauges 1.6 bar ≤ P ≤ 1000 bar

**Ordering example**

MAN	7	-	D	3	0	.	B22	/	0078	-	0771	-	0679
-----	---	---	---	---	---	---	-----	---	------	---	------	---	------

All stainless steel pressure gauge ←

Nominal size 150 mm ←

Bottom connection, case material 1.4301 ←

Process connection G1/2 ←

No liquid filling ←

Scale bar : 0 ... 10 bar ←

Option : ATEX Version ←

Option : Restrictor screw Ø 0.5 ←

Option : Adjustable friction pointer ←