



BOURDON
The Original by Baumer



Main Features

- For corrosive process fluids and atmospheres
- Class 1 according to EN 837-1
- Static pressure max. 400 bar
- Wetted parts stainless steel, monel or hastelloy
- Option : case material 1.4404 (316 L) for aggressive ambience
- Option : solid-front case

Applications

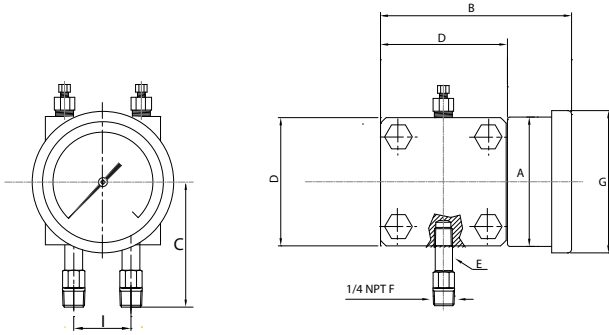
- Laboratory & Medical
- Oil & Gas / Chemical
- Water & Waste water
- Energy

Technical Data

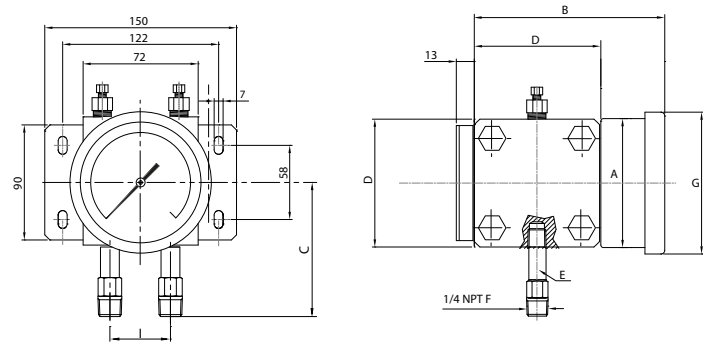
Nominal size	MFT5 : 100 mm MFT7 : 150 mm	Movement	Stainless steel
Measurement range	0 ... 25 mbar to 0 ... 25 bar	Dial	Aluminium, white
Static pressure	Selectable, max. 400 bar (see table on page 3)	Pointer	Aluminium, black Adjustable micro metric pointer
Allowed single-sided overpressure	Up to the selected static pressure	Bolts and nuts	Stainless steel 1.4301 (AISI 304) : Static pressure 25 bar (low pressure type) Static pressure 100/250 bar (high pressure type) Galvanized steel : Static pressure 100 bar (low pressure type) Static pressure 400 bar (high pressure type)
Accuracy	Cl. 1 (dry) Cl. 1.6 (filled)	Temperature	Ambient : -20 ... 60°C Medium : -20 ... 120°C Storage : -20 ... 60°C
Protection rating (EN 60529)	IP 67	Thermal drift	± 0.6% F.S. / 10 K (reference 20°C)
Process Connection	Stainless steel 1.4404 (AISI 316L), Monel 400 or Hastelloy C276	Safety	Case with solid-front (option)
Differential cell	Stainless steel 1.4404 (AISI 316L), Monel 400 or Hastelloy C276 Filling liquid : silicone fluid		
Cell gasket	NBR		
Case	Stainless steel 1.4301 (AISI 304) Option : Stainless steel 1.4404 (AISI 316L)		
Bezel ring	Stainless steel 1.4301 (AISI 304) Option : Stainless steel 1.4404 (AISI 316L)		
Window	Laminated safety glass		
Window gasket	Elastomer		

Dimensions - Types of mounting

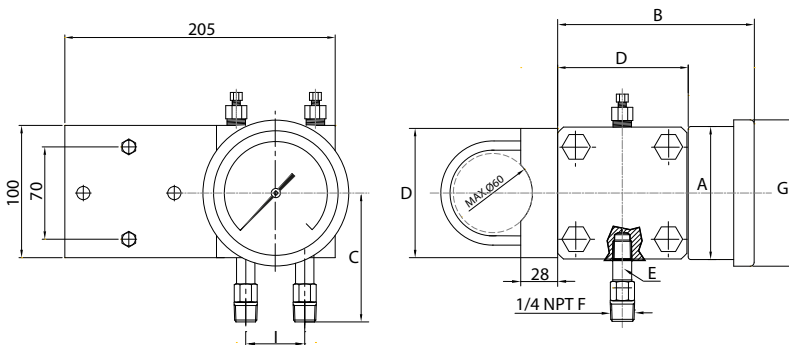
**Direct mounting
Type D**



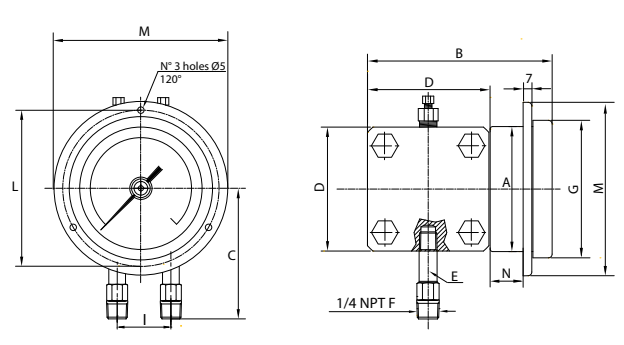
**Wall mounting
Type A**



**Pipe mounting
Type P**



**Panel mounting with 3 fixing holes
Type B**



	DN	A	B	C	D	E	G	I	L	M	N	Ø of 3 holes on Ø120	Weight (kg) max.	
													dry	filled
Low pressure type ¹⁾	100	103	200	137	150	22	118	54	126	140	27	5	11.3	11.6
	150	150	200	137	150	22	166	54	178	192	27	5	11.5	12.2
High pressure type ¹⁾	100	103	150	112	100	22	118	54	126	140	27	5	5.4	5.7
	150	150	150	112	100	22	166	54	178	192	27	5	5.6	6.3

¹⁾ See table on page 3

Pressure ranges

Code	mbar	Code	psi	Code	kPa
N05	0 ... 25			D05	0 ... 2.5
N06	0 ... 40			D06	0 ... 4
N07	0 ... 60			D07	0 ... 6
N08	0 ... 100	H08	0 ... 1.5	D08	0 ... 10
N09	0 ... 160			D09	0 ... 16
N10	0 ... 250	H93	0 ... 3	D10	0 ... 25
N11	0 ... 400	H11	0 ... 6	D11	0 ... 40
N12	0 ... 600	H13	0 ... 10	D12	0 ... 60
Code	bar				
B15	0 ... 1	H15	0 ... 15	D15	0 ... 100
B16	0 ... 1.6			D16	0 ... 160
B18	0 ... 2.5	H17	0 ... 30	D18	0 ... 250
B19	0 ... 4	H19	0 ... 60	D19	0 ... 400
B20	0 ... 6	H21	0 ... 100	D20	0 ... 600
B22	0 ... 10	H22	0 ... 160	D22	0 ... 1000
B24	0 ... 16	H25	0 ... 300	D24	0 ... 1600
B26	0 ... 25	H26	0 ... 400	D26	0 ... 2500

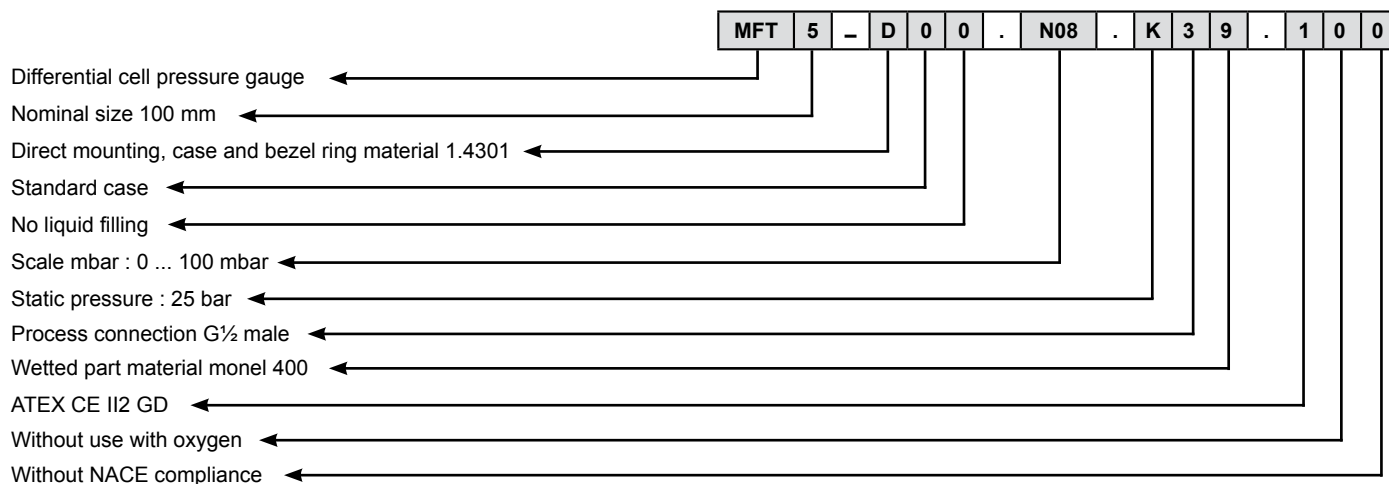
Ordering code for maximum static pressure

K	N	Q	R	K	N	Q	R
1)	1)						
2)	2)						
2)	2)			1)	1)		
2)	2)	3)	3)	2)	2)		
	3)	3)	3)	2)	2)		
	4)	4)	4)	2)	2)		
	4)	4)	4)	2)	2)		
	4)	4)	4)	3)	3)	3)	3)
	4)	4)	4)	4)	4)	4)	4)
	4)	4)	4)	4)	4)	4)	4)
	4)	4)	4)	4)	4)	4)	4)
	4)	4)	4)	4)	4)	4)	4)
	4)	4)	4)	4)	4)	4)	4)
	4)	4)	4)	4)	4)	4)	4)
	4)	4)	4)	4)	4)	4)	4)
	4)	4)	4)	4)	4)	4)	4)

Static pressure (bar)	25	100	250	400	25	100	250	400
Static pressure (psi)	360	1500	3000	6000	360	1500	3000	6000
Wetted parts material	St. steel 1.4404				Monel 400 / Hastelloy C276			

- 1) Scale 180°, dimensions according to low pressure type in table on page 2
- 2) Scale 270°, dimensions according to low pressure type in table on page 2
- 3) Scale 180°, dimensions according to high pressure type in table on page 2
- 4) Scale 270°, dimensions according to high pressure type in table on page 2

Ordering example



Ordering details MFT

	MFT	-	.	xxx	/
Model	MFT									
Differential cell pressure gauge										
Nominal size										
100 mm		5								
150 mm		7								
Type of mounting										
Stainless steel case and bezel ring 1.4301 (AISI 304)										
With mounting bracket for wall mounting									A	
With 3-hole front flange for panel mounting									B	
Direct mounting									D	
With mounting bracket for 2" tubes									P	
Stainless steel case and bezel ring 1.4404 (AISI 316L)										
With mounting bracket for wall mounting									1	
With 3-hole front flange for panel mounting									2	
Direct mounting									4	
With mounting bracket for 2" tubes									8	
Type of case										
Standard case									0	
Solid-front case									1	
Liquid filling										
Dry									0	
BH3 (silicone oil)									3	
Unit of measurement / Pressure ranges ²⁾										
bar										Bxx
psi										Hxx
kPa										Dxx
mbar										Nxx
kg/cm ²										Fxx
Static pressure ²⁾										
25 bar										K
100 bar										N
250 bar										Q
400 bar										R
Process connection										
G ¹ / ₂ male										3
¹ / ₂ NPT male										6
¹ / ₄ NPT female										8
¹ / ₂ NPT female										N
Wetted part material										
Stainless steel 316L										2
Monel 400										9
Hastelloy C276										6
ATEX										
Without										0
ATEX CE II2 GD										1
Use with oxygen										
Without										0
For oxygen applications (only dry version)										1
NACE compliance										
Without										0
NACE compliance										1
Options to be added behind the /										/

²⁾ Available standard ranges and static pressures see table on page 3. For ranges not listed, please contact Baumer.