



### Main Features

- Thermometer for pipe mounting
- Accuracy  $\pm 1\%$  F.S.
- Pipe diameter 1" to 5"

### Applications

- HVAC
- Machinery
- Water & Waste water

### Technical Data

Nominal size	72 mm
Temperature range	0 ... 120°C / 0 ... 60°C / -20°C ... 40°C
Accuracy	$\pm 1\%$ F.S. <sup>(1)</sup>
Case	Polycarbonate <sup>(2)</sup>
Window	Polymethylmethacrylate (PMMA)

Dial	Aluminium, white
Pointer	Aluminium, black
Adjustment	At the back of the case, max. $\pm 4^\circ\text{C}$
Mounting	Spring for pipes 1" to 5"

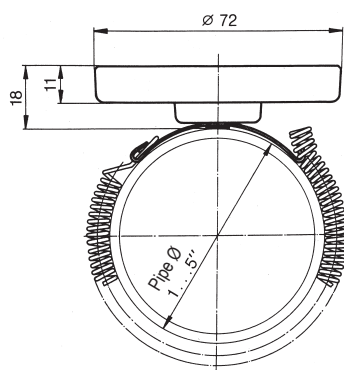
<sup>(1)</sup> Test conditions: bright steel pipe  $\varnothing 48$  medium: water, alcohol for temperature less than  $0^\circ\text{C}$ .

<sup>(2)</sup> Heat resistant, max.  $120^\circ\text{C}$ .

### Temperature ranges & ordering codes

Range °C	Ordering Code
0 ... 120	TBA72/112.111/20T
0 ... 60	TBA72/112.111/11T
-20 ... 40	TBA72/112.111/52T

### Drawing (dimensions in mm)



Weight (kg)	
NS	center back
72	0.190