



Main Features

- 360° positioning of the thermometer dial
- For thermometers with smooth immersion tube without process connection
- Welded or threaded
- Brass, steel & stainless steel (1.4571 / 316Ti)

Applications

- HVAC
- Water & waste water
- Energy
- Machinery

Technical Data

| Max. Temp. °C | Max. Pressure (bar) | | |
|---------------|---------------------|-------|-----------------|
| | Brass | Steel | Stainless Steel |
| 100 | 64 | 125 | 250 |
| 250 | 25 | 80 | 160 |
| 400 | - | 64 | 125 |
| 650 | - | - | 100 |

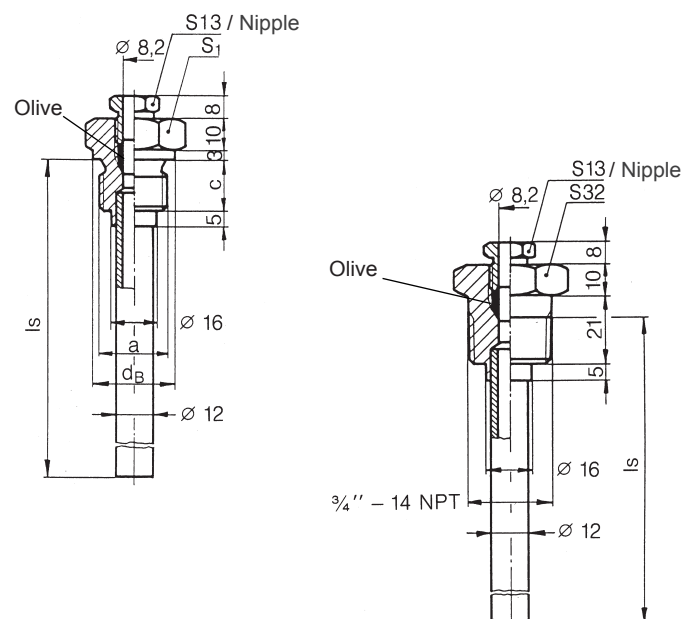
Spare parts

| | Ordering code | | |
|---------------|---------------|--------------|-----------------|
| | Brass | Steel, black | Stainless Steel |
| Nipple | T 08404.0001 | T 08404.0002 | T 08404.0003 |
| Olive | T 08405.0001 | T 08405.0002 | T 08405.0003 |

New olive and nipple have to be used to replace a thermometer in an installed thermowell.

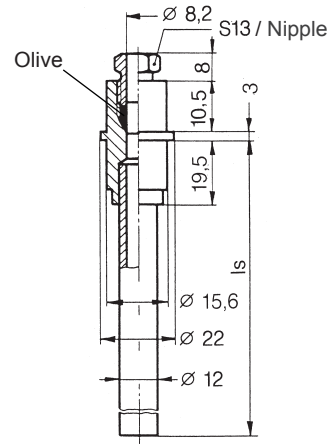
Thermowells with threaded connection

| Model | T 08410 | . . | xxxx |
|--|--------------------------------|-----|------|
| Thermowell with threaded connection | T 08410 | | |
| Process connection and material | | | |
| G½ | Brass | | 01 |
| G½ | Steel, black finish | | 02 |
| G½ | Stainless steel 1.4571 (316Ti) | | 03 |
| G¾ | Brass | | 04 |
| G¾ | Steel, black finish | | 05 |
| G¾ | Stainless steel 1.4571 (316Ti) | | 06 |
| ¾" -14 NPT | Brass | | 07 |
| ¾" -14 NPT | Steel, black finish | | 08 |
| ¾" -14 NPT | Stainless steel 1.4571 (316Ti) | | 09 |
| Installed length | | | |
| l _s = 60 mm | | | 00 |
| l _s = 100 mm | | | 01 |
| l _s = 160 mm | | | 02 |
| l _s = 250 mm | | | 03 |
| l _s = 400 mm | | | 04 |
| l _s = 600 mm | | | 05 |
| l _s = 1000 mm | | | 06 |



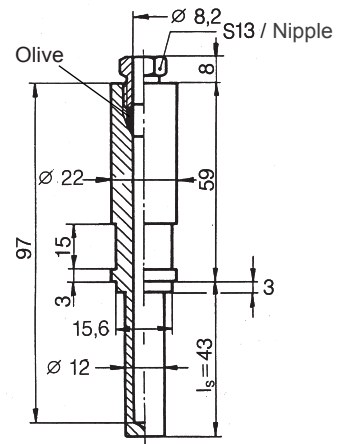
Thermowells with welded connection

| T 08416 . xxxx | |
|-----------------------------------|---------|
| Model | |
| Thermowell with welded connection | T 08416 |
| Material | |
| Steel | 01 |
| Stainless steel 1.4571 (316Ti) | 02 |
| Installed length | |
| $l_s = 60$ mm | 00 |
| $l_s = 100$ mm | 01 |
| $l_s = 160$ mm | 02 |
| $l_s = 250$ mm | 03 |
| $l_s = 400$ mm | 04 |
| $l_s = 600$ mm | 05 |
| $l_s = 1000$ mm | 06 |



Welded thermowells for insulated pipes

| T 08416 . xxxx | |
|---------------------------------------|---------|
| Model | |
| Welded thermowell for insulated pipes | T 08416 |
| Material | |
| Steel | 03 |
| Stainless steel 1.4571 (316Ti) | 04 |
| Installed length | |
| $l_s = 43$ mm | 07 |



Designed for insulated pipes and thermometers with a minimum immersion length < 60 mm

Dimensions (in mm) and weights

| Thread a | Measurement | | | Weight in kg | | | | | | | |
|------------------------|-------------|-------|-------|---------------|--------|--------|--------|--------|--------|---------|-------|
| | c | d_B | S_1 | $l_s = 60$ mm | 100 mm | 160 mm | 250 mm | 400 mm | 600 mm | 1000 mm | 43 mm |
| G $\frac{1}{2}$ | 15 | 26 | 27 | 0.120 | 0.140 | 0.170 | 0.210 | 0.280 | 0.380 | 0.560 | - |
| G $\frac{3}{4}$ | 16 | 32 | 32 | 0.180 | 0.200 | 0.230 | 0.270 | 0.340 | 0.440 | 0.620 | - |
| $\frac{3}{4}$ "-14 NPT | 21 | - | - | 0.180 | 0.200 | 0.230 | 0.270 | 0.340 | 0.440 | 0.620 | - |
| Welded thermowells | - | - | - | 0.070 | 0.090 | 0.120 | 0.160 | 0.230 | 0.360 | 0.510 | 0.160 |