

Main Features

- 360° positioning of the thermometer dial
- Easy adaptation to the length of installed thermowells
- Brass, steel & stainless steel (1.4435 / 316L)

Applications

- HVAC
- Water & Waste water
- Energy
- Machinery

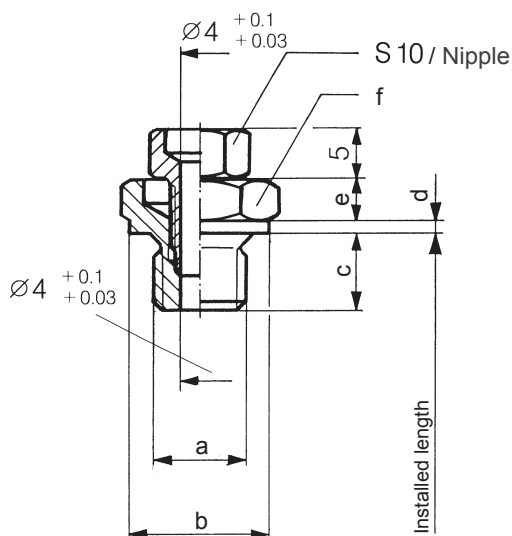
Technical Data

Max. Temp. °C	Max. Pressure (bar)		
	Brass	Steel	Stainless Steel
100	64	125	250
250	25	80	160
400	-	64	125
650	-	-	100

Ordering code

a	Ordering code		
	Brass	Steel, black	Stainless Steel
G $\frac{1}{8}$	T 08854.0001	T 08854.0002	T 08854.0003
G $\frac{1}{4}$	T 08854.0004	T 08854.0005	T 08854.0006
G $\frac{1}{2}$	T 08854.0007	T 08854.0008	T 08854.0009

Drawing (dimensions in mm)



Measurement Chart

a	b	c	d	e	f	Weight (kg)
G $\frac{1}{8}$	14	7.4	1	4	S 14	0.017
G $\frac{1}{4}$	18	12	2	6	S 19	0.017
G $\frac{1}{2}$	26	14	3	8	S 27	0.017