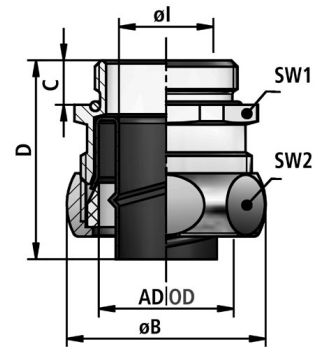


## US-P | PG thread

Metal connector, safety-type, straight, PG outer thread, incl. ferrule [brass | plastics], sealing [TPE] and O-ring [NBR]



**Temperature:** -40°C ... +125°C

**Material:** nickel-plated brass

**Protection class [acc. to EN 60529]:** IP4



FLEXA No.	OD [mm]	Thread type	Conduit DI	Conduit OD	ø 1 [mm]	ø B [mm]	C [mm]	D [mm]	WS1 [mm]	WS2 [mm]	Weight [kg/100]	PU [pcs.]
15010130007	10,0	PG7	7,0	10,0	6,0	19,0	7,0	28,0	15	17	1,420	50
15010130009	14,0	PG9	10,0	14,0	9,0	23,0	7,0	30,0	19	21	2,140	50
15010130011	17,0	PG11	13,0	17,0	11,5	27,0	7,0	30,0	23	25	3,000	50
15010130013	19,0	PG13,5	15,0	19,0	13,0	29,0	7,0	30,0	25	27	3,370	50
15010130016	21,0	PG16	16,0	21,0	14,5	31,0	7,0	30,0	27	29	3,700	50
15010130021	27,0	PG21	21,0	27,0	19,5	39,0	10,0	40,0	34	36	7,350	25
15010130029	36,0	PG29	29,0	36,0	26,5	48,0	10,0	40,0	43	45	10,300	25
15010130036	45,0	PG36	38,0	45,0	36,0	57,0	10,0	40,0	52	54	13,400	20
15010130048	56,0	PG48	48,0	56,0	46,5	70,0	10,0	45,0	63	66	19,130	10
15010430007	10,0	PG7	7,0	10,0	6,0	19,0	7,0	28,0	15	17	1,420	10
15010430009	14,0	PG9	10,0	14,0	9,0	23,0	7,0	30,0	19	21	2,140	10
15010430011	17,0	PG11	13,0	17,0	11,5	27,0	7,0	30,0	23	25	3,000	10
15010430013	19,0	PG13,5	15,0	19,0	13,0	29,0	7,0	30,0	25	27	3,370	10
15010430016	21,0	PG16	16,0	21,0	14,5	31,0	7,0	30,0	27	29	3,700	10
15010430021	27,0	PG21	21,0	27,0	19,5	39,0	10,0	40,0	34	36	7,350	10
15010430029	36,0	PG29	29,0	36,0	26,5	48,0	10,0	40,0	43	45	10,300	2
15010430036	45,0	PG36	38,0	45,0	36,0	57,0	10,0	40,0	52	54	13,400	2
15010430048	56,0	PG48	48,0	56,0	45,5	70,0	10,0	45,0	63	66	19,130	2

Recommendations for any areas of applications, products, or product combinations are issued to the best of FLEXA's knowledge and experience. The user is requested to check applicability of FLEXA products to specific applications and purposes prior to the use of the particular products. All documentation, illustrations, and charts published are subject to copyright and must not be copied, changed, used, or modified. Technical drawings, certificates, authorizations, and results by the FLEXA lab will be provided upon request. FLEXA will not be held liable for typographical or other errors and incorrect drawings. Technical modifications are subject to change without prior notice.