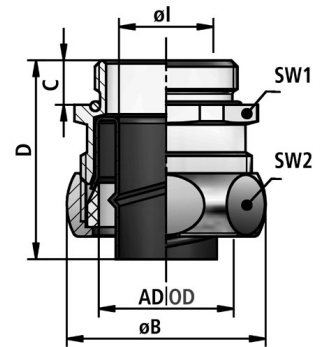


**US-P | PG thread**

Metal connector, safety-type, straight, PG outer thread, incl. ferrule [brass | plastics], sealing [TPE] and O-ring [NBR]



**Temperature:** -40°C ... +125°C

**Material:** nickel-plated brass

**Protection class [acc. to EN 60529]:** IP66



FLEXA No.	OD [mm]	Thread type	Conduit DI	Conduit OD	Ø I [mm]	Ø B [mm]	C [mm]	D [mm]	WS1 [mm]	WS2 [mm]	Weight [kg/100]	PU [pcs.]
15010137009	14,0	PG9	10,0	14,0	9,0	23,0	7,0	30,0	19	21	2,140	50
15010137011	17,0	PG11	12,0	17,0	10,5	27,0	7,0	30,0	23	25	3,000	50
15010135016	21,0	PG16	16,0	21,0	14,5	31,0	7,0	30,0	27	29	3,700	50
15010601021	27,0	PG21	21,0	27,0	19,5	39,0	10,0	40,0	34	36	7,350	25
15010137029	36,0	PG29	27,0	36,0	26,5	48,0	10,0	40,0	43	45	10,300	25
15010137036	45,0	PG36	36,0	45,0	34,5	57,0	10,0	40,0	52	54	13,400	20
15010137048	56,0	PG48	47,0	56,0	45,5	70,0	10,0	45,0	63	66	19,130	10

Recommendations for any areas of applications, products, or product combinations are issued to the best of FLEXA's knowledge and experience. The user is requested to check applicability of FLEXA products to specific applications and purposes prior to the use of the particular products. All documentation, illustrations, and charts published are subject to copyright and must not be copied, changed, used, or modified. Technical drawings, certificates, authorizations, and results by the FLEXA lab will be provided upon request. FLEXA will not be held liable for typographical or other errors and incorrect drawings. Technical modifications are subject to change without prior notice.