

US-FOOD-M

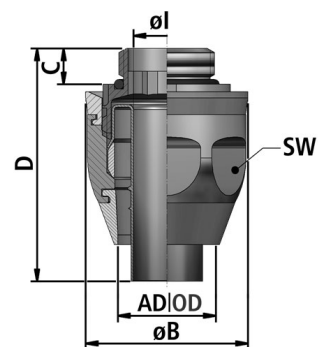
Connectors

Metal connector, safety-type, straight, metric outer thread, incl. ferrule and sealing, food-safe

Temperature: -40°C ... +125°C

Material: stainless steel

Protection class [acc. to EN 60529]: IP 68 | IP 69K



FLEXA No.	OD [mm]	Thread type	Conduit DI	Conduit OD	ø I [mm]	ø B [mm]	C [mm]	D [mm]	WS1 [mm]	WS2 [mm]	Weight [kg/100]	PU [pcs.]
10608800020	1/2 inch	M20 x 1,5	16,0	21,0	14,0	34,0	7,5	48,5	30	14	7,040	10
10608800125	1/2 inch	M25 x 1,5	16,0	21,0	14,0	41,0	7,5	49,5	36	14	11,510	10
10608800025	3/4 inch	M25 x 1,5	21,0	27,0	18,8	41,0	7,5	58,0	36	19	10,010	5
10608800032	1 inch	M32 x 1,5	24,5	33,0	27,8	53,0	7,5	68,5	46	25	19,325	5
10608800040	1 1/4 inch	M40 x 1,5	35,0	42,0	32,0	61,0	7,5	80,0	54	32	29,295	2

Recommendations for any areas of applications, products, or product combinations are issued to the best of FLEXA's knowledge and experience. The user is requested to check applicability of FLEXA products to specific applications and purposes prior to the use of the particular products. All documentation, illustrations, and charts published are subject to copyright and must not be copied, changed, used, or modified. Technical drawings, certificates, authorizations, and results by the FLEXA lab will be provided upon request. FLEXA will not be held liable for typographical or other errors and incorrect drawings. Technical modifications are subject to change without prior notice.