

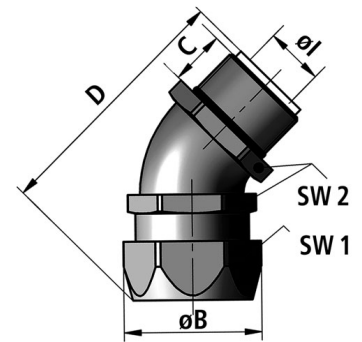
EW 45-P | PG thread

Connectors

Metal connector, elbow 45°, PG outer thread, incl. ferrule and sealing

Material: nickel-plated brass

Protection class [acc. to EN 60529]: IP67



FLEXA No.	OD [mm]	Thread type	Conduit DI	Conduit OD	Ø I [mm]	Ø B [mm]	C [mm]	D [mm]	WS1 [mm]	WS2 [mm]	Weight [kg/100]	PU [pcs.]
10611000111	5/16 inch	PG11	10,0	14,5	8,3	29,0	12,0	57,0	26	22	7,700	10
10611000011	3/8 inch	PG11	12,5	18,0	10,2	29,0	12,0	57,0	26	22	7,700	10
10611000113	5/16 inch	PG13,5	10,0	14,5	8,3	29,0	12,0	57,0	26	22	8,100	10
10611000013	3/8 inch	PG13,5	12,5	18,0	10,2	29,0	12,0	57,0	26	22	8,100	10
10611000016	1/2 inch	PG16	16,0	21,0	13,9	32,7	13,0	60,0	29	27	11,600	10
10611000021	3/4 inch	PG21	21,0	26,5	18,5	38,7	15,0	70,0	35	33	16,600	5
10611000029	1 inch	PG29	26,5	33,0	23,8	50,0	15,0	75,0	45	42	31,500	5
10611000036	1 1/4 inch	PG36	35,5	42,0	31,8	60,0	16,0	98,0	54	51	53,200	2
10611000048	2 inch	PG48	51,5	60,0	47,8	85,0	20,0	134,0	77	74	132,000	2

Recommendations for any areas of applications, products, or product combinations are issued to the best of FLEXA's knowledge and experience. The user is requested to check applicability of FLEXA products to specific applications and purposes prior to the use of the particular products. All documentation, illustrations, and charts published are subject to copyright and must not be copied, changed, used, or modified. Technical drawings, certificates, authorizations, and results by the FLEXA lab will be provided upon request. FLEXA will not be held liable for typographical or other errors and incorrect drawings. Technical modifications are subject to change without prior notice.