

20 A

500 V
U_{MAXI}

DECONTACTOR™ DSN1



IP66
IP67
IP69



1-2,5 mm² (1)
1,5-4 mm² (2)



GRP



IK09



-40 °C
+60 °C



AC-22
AC-23



60309-1
60309-4
60947-3



2 PIL (3).

(1) Flexible wiring (min.-max.).
(2) Stranded wiring (min.-max.).
(3) Flexible wiring 0.8 mm².



Other configurations
on request



For a black colour
housing replace the
second reference
character with 5.

LOAD-BREAK CAPABILITY OF THE DECONTACTOR™

| | |
|---|------------|
| Comply with IEC/EN 60309-1 and IEC/EN 60309-4 standards | 20 A/500 V |
| Load-break capability according to IEC/EN 60947-3/AC-22 | 20 A/500 V |
| Load-break capability according to IEC/EN 60947-3/AC-23 | 20 A/500 V |
| Short-circuit current I _{cc} | 10 kA |
| Power kW AC-22/AC-23 | 10 kW |

SOCKET-OUTLET

female
DSN1



INLET male
DSN1



Dual-voltage
socket-outlet
(see p. 11)

| | | | |
|---------------------------|-------------|------------|---------|
| 20-24 V AC | 2P | 611408A | 611808A |
| 220-250 V AC | 1P+N+E | 6114015 | 6118015 |
| 380-440 V AC | 3P+E | 6114013 | 6118013 |
| 220-250 V AC 380-440 V AC | 3P+N+E | 6114017 | 6118017 |
| 480-500 V AC | 3P+E | 6114093 | 6118093 |
| 480-500 V AC | 3P+N+E | 6114097 | 6118097 |
| Pilotes 2A/250 V AC | + 2 pilots* | Ref. + 972 | NA |

► Other currents, voltages, frequencies and contact configurations are available (see page 14).

* Unlike the rest of the DSN range, DSN1 auxiliaries are located on the female side only and are shunted. Electrical continuity is only ensured when the inlet and the socket-outlet are connected and when the pilot circuit is closed.

OPTIONS Reference

INDUSTRIAL/DOMESTIC ADAPTERS

Industrial inlet MARECHAL® 1P+N+E and domestic socket-outlet 10/16 A 230 V fuse protection 10A and 16 A (with integrated fuse). All these plug adapters are available to local standards: replace D11 by D40 for UK, D30 for Germany/Netherlands/Luxembourg, D06 for Italy.



6118015D11

LOCKING PIN FOR 2 PADLOCKS Ø 4 TO 8 mm (PADLOCK NOT SUPPLIED)



Socket-outlet ref. +843

SAFETY HASP FOR UP TO 6 PADLOCKS



613A541

LARGER RELEASE BUTTON



Ref. socket +453

INLET CAP IP66/IP67



611A426

IN-LINE CONNECTIONS (A PAIR OF FINGER DRAW PLATES TO AID CLOSING)



611A346

IP40 SELF RETURNING LID (MANUAL CLOSING)



Socket-outlet ref.+R

SELF-EJECTING



See page 188

PRODUCTS AVAILABLE IN BLACK ●

The black dot means these products are also available in black color. Replace the second character of the product reference with 5

PRODUCT WITH ANTI-BACTERIAL TREATMENT ●

NEW

This sticker means that the product is also available with an antibacterial treatment. Add the suffix AG to the reference. For more information on anti-bacterial treated handles please consult us.

SLEEVE Reference

POLY SLEEVE ●



30°

511M3



70°

511M7

METAL SLEEVE



0° (Straight)

591M0



30°

591M3

BOXES Input Reference

POLY BOX ●



30°

M20

511B3M20

30°

M25

511B3M25

POLY BOX + POLY SLEEVE (BLACK VERSION SEE ACCESSORIES DXN1 PAGE 235)

70°

Without hole

511C7000



70°

Hole Ø 20

511C7M20

Earth bar ref.: 51AA089

70°

Hole Ø 25

511C7M25

70°

Hole Ø 32

511C7M32

METAL BOX (+ EARTHING WIRE) + POLY SLEEVE



30°

M20

511C3M20

Cable glands are not delivered with the boxes.

HANDLE Input/Cable outer Ø Reference Self-ejection

POLY HANDLE WITH GLAND ●



9-18 mm

511P0D18

/



5-21 mm

511P0D21

/



60°

9-18 mm

511P6D18

/

POLY HANDLE + POLY CABLE GLAND ●

5-12 mm

511P020P

Ref. +443 (10-14 mm)



9-18 mm

511P025P

Ref. +443 (12-18 mm)

14-25 mm

511P032P

Ref. +443

POLY HANDLE (WITHOUT CABLE GLAND) ●

M20

511P0M20

/



M25

511P0M25

/

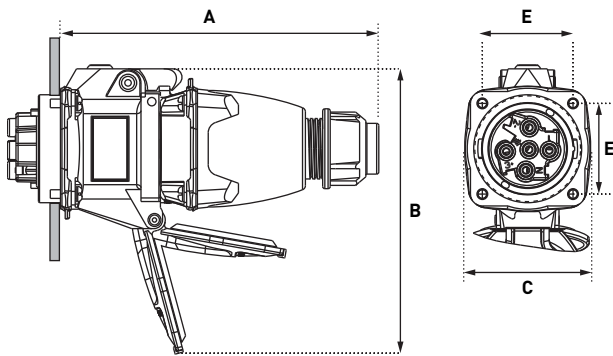
M32

511P0M32

/

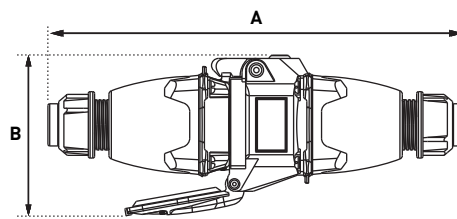
DRAWINGS AND DIMENSIONS

PLUG ON SOCKET-OUTLET



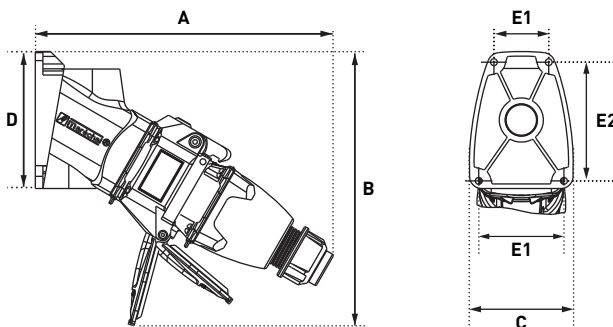
| A | B | C | E |
|-----|-----|----|----|
| 147 | 134 | 58 | 42 |

COUPLER



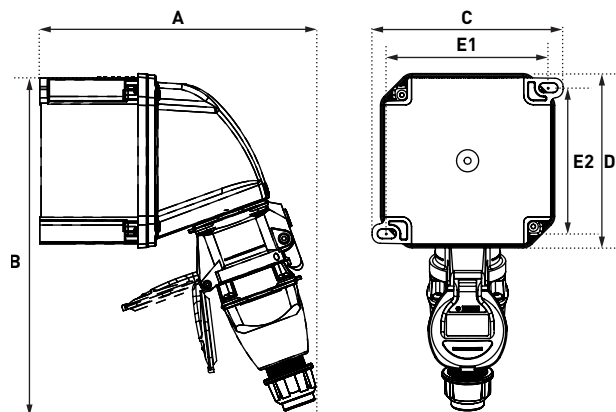
| A | B |
|-----|----|
| 231 | 89 |

PLUG ON 30° WALL-MOUNTED SOCKET-OUTLET



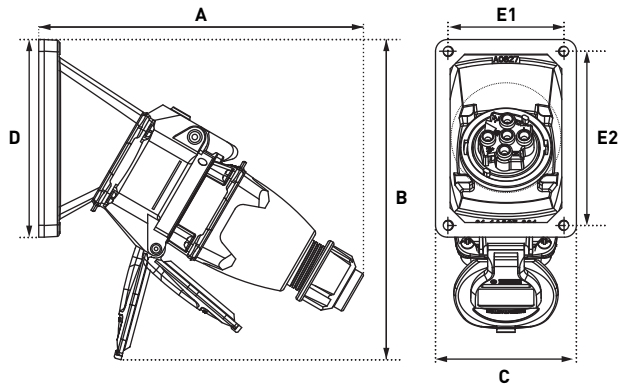
| A | B | C | D | E1 | E2 |
|-----|-----|----|----|-------|----|
| 196 | 180 | 68 | 90 | 36/56 | 78 |

PLUG ON 70° WALL-MOUNTED SOCKET-OUTLET



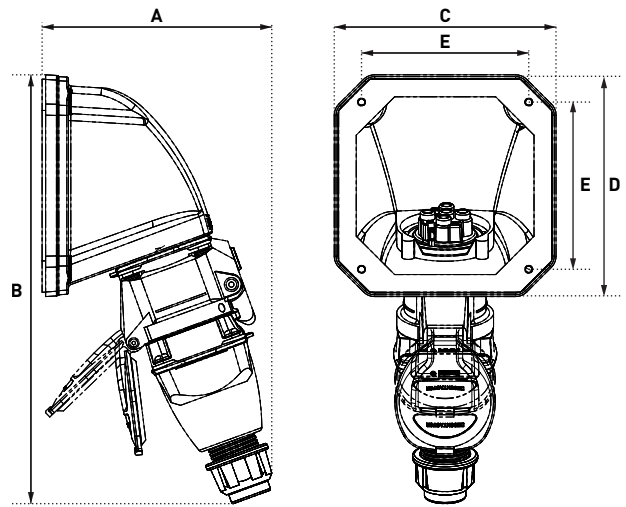
| A | B | C | D | E1 | E2 |
|-----|-----|-----|-----|-----|-----|
| 200 | 244 | 138 | 126 | 117 | 106 |

PLUG ON 30° INCLINED SOCKET-OUTLET



| A | B | C | D | E1 | E2 |
|-----|-----|----|-----|----|----|
| 177 | 175 | 77 | 108 | 64 | 95 |

PLUG ON 70° INCLINED SOCKET-OUTLET



| A | B | C | D | E |
|-----|-----|-----|-----|----|
| 131 | 244 | 126 | 126 | 95 |



