

## MAIN FEATURES



12 CONTACTS

10 A

### PXN12C



25 CONTACTS

10 A

### DXN25C



37 CONTACTS

10 A

### DXN37C



◀◀  II 2 G D Ex e IIC Gb, Ex tb IIIC Db ▶▶

◀◀ II 2 G D Ex ia ou ib IIC Gb ▶▶

◀◀ padlocking when connected or disconnected ▶▶

◀◀ Corrosion protected metal casing ▶▶

### MULTICONTRACTS PXN12C, DXN25C AND DXN37C CONNECTORS COMPLY WITH:

- ATEX European Directive (affixing "Ex" symbol and CE marking),
- RoHS Directive (affixing CE marking),
- REACH European Regulation,
- IEC/EN 60079-0, IEC/EN 60079-7 and IEC/EN 60079-31 standards.

### PXN12C, DXN25C AND DXN37C CERTIFICATION BODIES

Products are certified by LCIE (ATEX and IECEx), NANIO (TR CU EAC), EXPLORLABS (SANS) and KGS (KCS\*) (French, Russian, South African and South Korean notified bodies).

\*DXN37C excluded





## SIMPLE ASSEMBLY AND DISASSEMBLY

### FAST WIRING

- Cable conductors: 1 mm<sup>2</sup> to 2,5 mm<sup>2</sup>.
- Before wiring, add a heat-shrink sleeve or insulating sleeve on each conductor.
- After wiring, cover the visible portion of the contact with the sleeve.
- Crimp the contact with a KNIPEX crimping tool P/N° 61CA500 or a GREENLEE crimping tool P/N° 45505.
- Use the 4 mm<sup>2</sup> footprint whatever the conductor cross-section.
- Perform a double crimping in compliance with CEI 60352-2 standard.
- Conductors can equally be soldered.

### ASSEMBLY

To insert contacts when they have been wired is simple.  
Push wired contact into rear of insulator until it stops to complete the installation.



### DISASSEMBLY

To remove, use the tool provided.  
Push tool from front onto contact until tool stops.  
Contact is then released at rear of insulator.



# 37 CONTACTS

10 A

230 V  
U<sub>MAXI</sub>

## CONNECTORS MULTICONTACTS DXN37C



MARECHAL ELECTRIC FRANCE

Ex II 2 G D      Ex e IIC Gb Ex tb IIIC Db  
-40 °C ≤ Ta ≤ +40 °C      T6      T56 °C  
-40 °C ≤ Ta ≤ +55 °C      T5      T76 °C  
Ex ia ou ib IIC T6 Gb  
IECEX LCIE 14.0038X/LCIE 07 ATEX 6071X



IP66  
IP67



1-2,5 mm<sup>2</sup>



METAL



IK09



-40 °C  
+55 °C



ATEX



1, 2,  
21, 22

### OTHER FEATURES

Rated current (with wiring according to standard)

4-20 mA/10A

Terminals wiring :

crimping

Flexible wiring (min.-max.).

1-2,5 mm<sup>2</sup>

### STANDARDS

International and European IEC/EN standards

60079-0, 60079-7 et 60079-31

Protection mode

e ou i, tb

## REFERENCES AND OPTIONS

### WALL MOUNTING

socket female  
DXN37C



Input	Cable outer Ø	Reference	Input	Cable outer Ø	Reference
M32	12-21 mm	36C000332M	M32	12-21 mm	36C100332M
M40	16-27 mm	36C0003	M40	16-27 mm	36C1003

PLUG male  
DXN37C



Locking position  
connected or  
disconnected by  
lockable shaft.

Other accessories  
on request.

Each product is  
supplied with 3 bags of  
13 contacts depending  
on the maximum  
configuration.  
This allows you to set  
up the product to suit  
your needs.  
Delivered with  
padlocking shaft.

### INCLINED SOCKET FEMALE DXN37C



INCLINED  
APPLIANCE inlet male  
DXN37C



Reference	Reference
36C7003	36C9003

### COUPLER SOCKET female DXN37C



INCLINED  
APPLIANCE inlet  
DXN37C



Input	Cable outer Ø	Reference	Input	Cable outer Ø	Reference
M32	12-21 mm	36C300332M	M32	12-21 mm	36C600332M
M40	16-27 mm	36C3003	M40	16-27 mm	36C6003

### INFOS +

Leaving 2 contacts unused can give 9 different keying positions (on socket outlet side or mobile plug side) using the two specific stopping plugs supplied.

#### OPTIONS

Reference

##### BAG OF 13 FEMALES CONTACTS



01AA213

##### BAG OF 13 MALES CONTACTS



61CA113

##### REMOVAL KEY



61CA593

#### OPTIONS

Reference

##### CRIMPING TOOL



61CA500

##### HELAVIA SLEEVE EXPANSION TOOL



61CA400

##### BAG OF 13 HEAT SHRINK INSULATION SLEEVES

61CA083

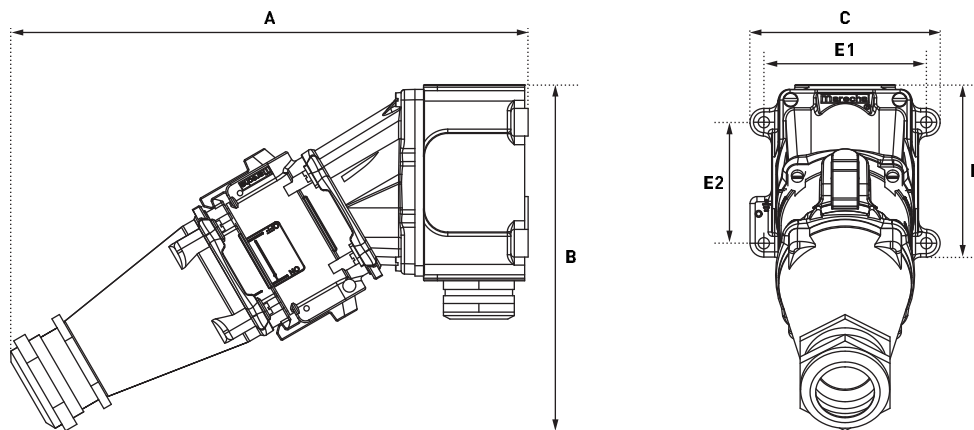
##### INLET CAP IP66/IP67



313A426

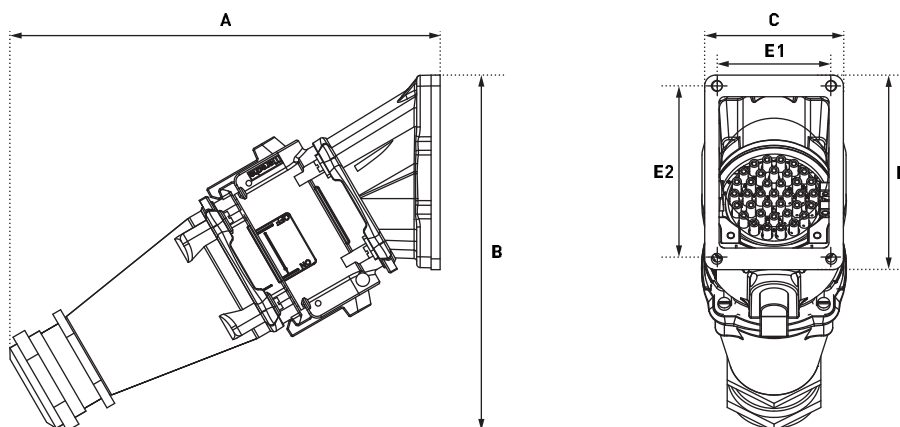
# DRAWINGS AND DIMENSIONS

## PLUG ON 30° WALL MOUNTED SOCKET OUTLET



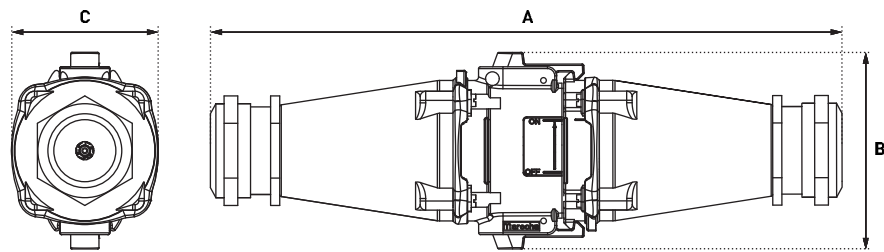
A	B	C	D	E1	E2
299	200	110	114	94	70

## PLUG ON 30° INCLINED SOCKET-OUTLET



A	B	C	D	E1	E2
239	197	77	107	63	95

COUPLER



A	B	C
346	108	80

