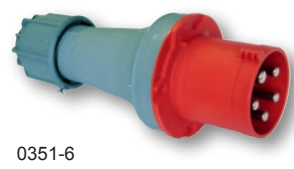


Amp.	Poles	pack-unit	110V~	230V~	400V~	500V~	>50-500V~	>50-500V~
			50/60Hz 4h	50/60Hz 3p=6h 4p+5p=9h	50/60Hz 3p=9h 4p+5p=6h	50/60Hz 7h	100-300Hz 10h	301-500Hz 2h
			Cat.No.	Cat.No.	Cat.No.	Cat.No.	Cat.No.	Cat.No.
63	3	2	0331-4	0331-6	0331-9	0331-7	0331-10	0331-2
63	4	2	0341-4	0341-9	0341-6	0341-7	0341-10	0341-2
63	5	2	0351-4	0351-9	0351-6	0351-7	0351-10	0351-2



0351-6

63	3	2	033-4	033-6	033-9	033-7	033-10	033-2
63	4	2	034-4	034-9	034-6	034-7	034-10	034-2
63	5	2	035-4	035-9	035-6	035-7	035-10	035-2



035-6

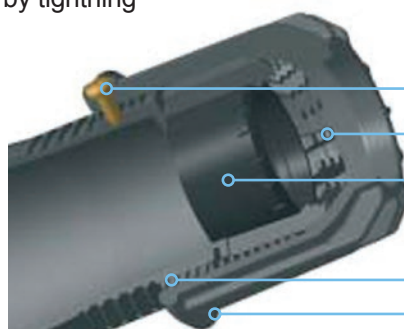
125	3	2	043-4	043-6	043-9	043-7	043-10	043-2
125	4	2	044-4	044-9	044-6	044-7	044-10	044-2
125	5	2	045-4	045-9	045-6	045-7	045-10	045-2



045-6

Time saving:

- Simple and fast insertion of the cable
- Strain-relief and sealing of the cable by tightening the cable gland
- All current cables for 63A from $\varnothing 14,5\text{mm}$ to $\varnothing 36\text{mm}$ for 125A from $\varnothing 22,5\text{mm}$ to $\varnothing 50\text{mm}$
- 100% Tightness of the cable



- **Safety screw**
locks the screw cap in position
- **Strain-relief**
for very high strain
- **Sealing**
protection degree IP66/IP67
- **Acme thread**
for high force
- **Cable gland nut**
optimum grip

