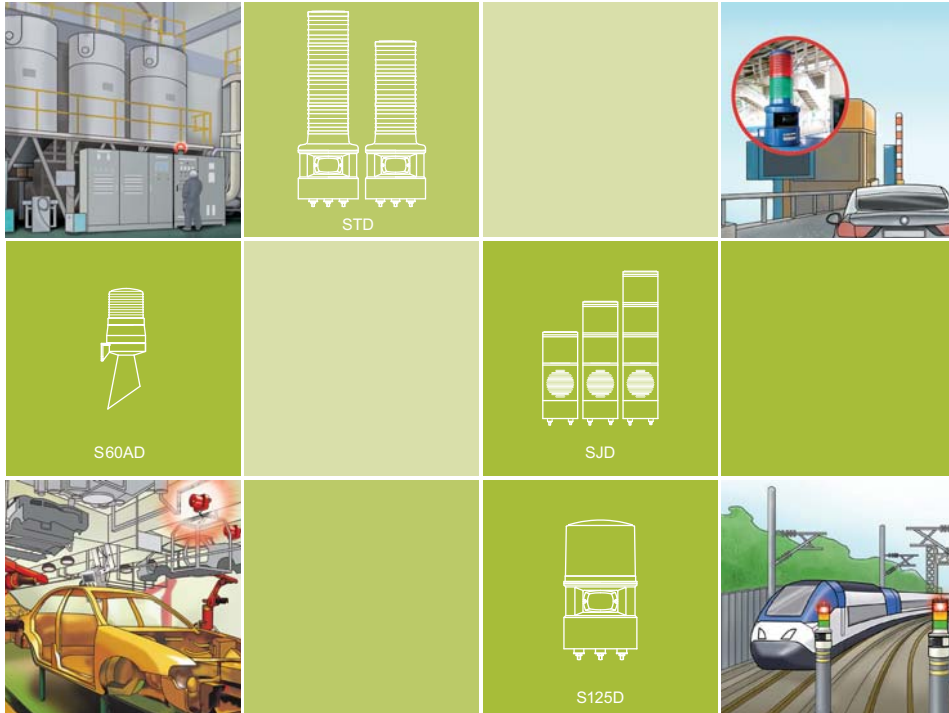


CATALOGUE

# Signal Lights & Electric Horns

INNOVATION IN ALARM & SIGNAL



|                         |       |    |
|-------------------------|-------|----|
| References              | ..... | 80 |
| Products specifications | ..... | 82 |

# Reference for Warning/ Signal Lights & Electric Horns



| Model number       | S60AD                                     | QWTD   | QAD80H                 | QAD80BZ                | QAD100H                  | QAD100BZ                    |
|--------------------|---|--|------------------------|------------------------|--------------------------|-----------------------------|
| Voltage            | DC12V, DC24V<br>AC110V, AC220V            | AC/DC12V, AC/DC24V<br>AC110V-AC220V                          | DC12V-24V              | DC12V, DC24V           | DC12V-24V<br>AC110V-220V | DC12V, DC24V<br>AC110V-220V |
| Dimension (mm)     | Diameter                                  | Ø70  | Ø83                    | Ø83                    | Ø97                      | Ø97                         |
|                    | Height                                    | 233  | 154-318                | 198                    | 198                      | 215                         |
|                    | Depth                                     | 86   | 76                     | 93                     | 93                       | 109                         |
| Material           | Lens-AS<br>Housing-ABS                    | Lens-PC<br>Housing-ABS                                       | Lens-PC<br>Housing-ABS | Lens-PC<br>Housing-ABS | Lens-PC<br>Housing-ABS   | Lens-PC<br>Housing-ABS      |
| Lamp & Operation   | Bulb Steady/Flashing                      | •  |                        |                        |                          |                             |
|                    | Bulb Revolving                            |  |                        |                        |                          |                             |
|                    | LED Revolving                             |  |                        |                        |                          |                             |
|                    | LED Steady/Flashing                       | •  | •                      | •                      | •                        | •                           |
| Sound & Volume     | LED Strobe                                |  |                        |                        |                          |                             |
|                    | LED Simulated revolving xenon lamp strobe | •  |                        |                        |                          |                             |
|                    | High Buzzer                               | Max 100dB at 1m  |                        |                        | Max 105dB at 1m          | Max 105dB at 1m             |
| MP3                | 5 Signal sounds                           |  | Max 85dB at 1m         |                        |                          |                             |
|                    | Voice                                     |  |                        |                        |                          |                             |
|                    | 30 signal sounds                          |  |                        | Max 100dB at 1m        |                          | Max 100dB at 1m             |
|                    | 31 signal sounds                          |  |                        |                        |                          | Max 95dB at 1m              |
| Mounting structure | Wall mount                                | Wall mount   | Wall mount             | Wall mount             | Wall mount               | Wall mount                  |
| IP                 | IP54                                      | IP54   | IP65                   | IP65                   | IP65                     | IP65                        |
| Certificates       | CE  | CE   | -                      | -                      | -                        | -                           |
| Customization      | 2 tones buzzer                            | 2 tones buzzer,<br>Color combinations<br>except for standard | -                      | -                      | -                        | -                           |
| transistor         | -   | NPN Type   | NPN Type               | -                      | NPN Type                 | -                           |
| Page               | P82                                       | P84  | P87                    | P87                    | P88                      | P88                         |



| Model number       | QAD125H                                   | QAD125BZ                    | QWCD35                     | QWCD50                             | SJD                                |
|--------------------|---|-----------------------------|----------------------------|------------------------------------|------------------------------------|
| Voltage            | DC12V-24V<br>AC110V-220V                  | DC12V, DC24V<br>AC110V-220V | DC12V-DC24V<br>AC110V-220V | DC12V, DC24V<br>AC110V-220V        | DC12V, DC24V<br>AC110V, AC220V     |
| Dimension (mm)     | Diameter                                  | Ø116                        | 136×179                    | 168×222                            | 95×95(Cubic)                       |
|                    | Height                                    | 244                         | 244                        | -                                  | 274-466                            |
|                    | Depth                                     | 132                         | 132                        | 126                                | 163                                |
| Material           | Lens-PC<br>Housing-ABS                    | Lens-PC<br>Housing-ABS      | Horn-PC<br>Housing-PC+ABS  | Horn-PC<br>Housing-PC+ABS          | Lens-AS<br>Housing-ABS             |
| Lamp & Operation   | Bulb Steady/Flashing                      |                             |                            |                                    | •                                  |
|                    | Bulb Revolving                            |                             |                            |                                    |                                    |
|                    | LED Revolving                             |                             |                            |                                    |                                    |
|                    | LED Steady/Flashing                       | •                           | •                          |                                    |                                    |
| Sound & Volume     | LED Strobe                                |                             | •                          | •                                  |                                    |
|                    | LED Simulated revolving xenon lamp strobe |                             |                            |                                    | •                                  |
|                    | High Buzzer                               |                             | Max 105dB at 1m            |                                    |                                    |
| MP3                | 5 Signal sounds                           |                             |                            |                                    | Max 90dB at 1m<br>Max 80dB at 1m   |
|                    | Voice                                     |                             |                            |                                    |                                    |
|                    | 30 signal sounds                          | Max 115dB at 1m             |                            |                                    |                                    |
|                    | 31 signal sounds                          |                             |                            | Max 115dB at 1m<br>Max 113dB at 1m | Max 123dB at 1m<br>Max 118dB at 1m |
| Mounting structure | Wall mount                                | Wall mount                  | Wall mount                 | Wall mount                         | Self stand                         |
| IP                 | IP65                                      | IP65                        | IP66                       | IP66                               | IP23                               |
| Certificates       | -   | -                           | CE, UL                     | CE, UL                             | -                                  |
| Customization      | -   | -                           | External signal line       | External signal line               | Lens color expect<br>for standard  |
| transistor         | NPN Type                                  | -                           | NPN Type                   | NPN Type                           | NPN Type                           |
| Page               | P89                                       | P89                         | P91                        | P92                                | P93-94                             |

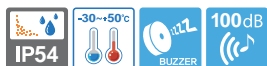
# Reference for Warning/ Signal Lights & Electric Horns



| Model number           | STD  | S100D                          | S125D                          | STNDL                          | STND100                        | STND125                        |                           |
|------------------------|--|--------------------------------|--------------------------------|--------------------------------|--------------------------------|--------------------------------|---------------------------|
| Voltage                | AC/DC12V, AC/DC24V<br>AC110V, AC220V         | DC12V, DC24V<br>AC110V, AC220V | DC12V, DC24V<br>AC110V, AC220V | DC12V, DC24V<br>AC110V, AC220V | DC12V, DC24V<br>AC110V, AC220V | DC12V, DC24V<br>AC110V, AC220V |                           |
| Dimension<br>(mm)      | Diameter                                     | Ø80(Globe)<br>Ø119(Body)       | Ø101(Globe)<br>Ø119(Body)      | Ø115(Globe)<br>Ø119(Body)      | Ø80(Globe)<br>Ø119(Body)       | Ø101(Globe)<br>Ø119(Body)      | Ø115(Globe)<br>Ø119(Body) |
|                        | Height                                       | 232-512                        | 226                            | 215                            | 267-547                        | 261                            | 250                       |
|                        | Depth  | -                              | -                              | -                              | -                              | -                              | -                         |
| Material               | Lens-AS<br>Housing-ABS                       | Lens-AS<br>Housing-ABS         | Lens-AS<br>Housing-ABS         | Lens-AS<br>Housing-ABS         | Lens-AS<br>Housing-ABS         | Lens-AS<br>Housing-ABS         |                           |
| Lamp<br>&<br>Operation | Bulb Steady/Flashing                         | •                              |                                |                                | •                              | •                              |                           |
|                        | Bulb Revolving                               |                                | •                              | •                              |                                |                                |                           |
|                        | LED Revolving                                |                                | •                              | •                              |                                |                                |                           |
|                        | LED Steady/Flashing                          | •                              | •                              | •                              | •                              | •                              |                           |
| LED Strobe             | LED Strobe                                   |                                |                                |                                |                                |                                |                           |
|                        | LED Simulated revolving<br>xenon lamp strobe |                                | •                              | •                              |                                |                                |                           |
| Sound<br>&<br>Volume   | High Buzzer                                  |                                |                                |                                |                                |                                |                           |
|                        | 5 Signal sounds                              | Max 105dB at 1m                | Max 105dB at 1m                | Max 105dB at 1m                |                                |                                |                           |
|                        | Voice  | Max 95dB at 1m                 | Max 95dB at 1m                 | Max 95dB at 1m                 |                                |                                |                           |
|                        | 30 signal sounds                             |                                |                                |                                | Max 105dB at 1m                | Max 105dB at 1m                | Max 105dB at 1m           |
|                        | 31 signal sounds                             |                                |                                |                                |                                |                                |                           |
| MP3                    |  |                                |                                | Max 98dB at 1m                 | Max 98dB at 1m                 | Max 98dB at 1m                 |                           |
| Mounting structure     | Self stand                                   | Self stand                     | Self stand                     | Self stand                     | Self stand                     | Self stand                     |                           |
| IP                     | IP54   | IP54                           | IP54                           | IP54                           | IP54                           | IP54                           |                           |
| Certificates           | CE   | CE                             | CE                             | CE                             | CE, UL                         | CE                             |                           |
| Customization          | Customized lens height                       | -                              | -                              | Customized lens height         | -                              | -                              |                           |
| transistor             | NPN Type                                     | NPN Type                       | NPN Type                       | NPN Type                       | NPN Type                       | NPN Type                       |                           |
| Page                   | P95  | P97                            | P99                            | P102                           | P104                           | P105                           |                           |

# S60AD series

Signal/ Warning Lights with High Volume Built-in Buzzer



S60AD series



## Common Specifications(S60ADL/ S60ADS/ S60ADB)

- Ø60mm warning light with high volume built-in buzzer in a vertical configuration
- Cone-shaped horn helps diffuse sound to generate clear and distinctive sound signals
- Suitable for applications that require downward audible signals in elevated locations
- Buzzer sound volume (Max 100dB at 1m)
- Materials : Lens-AS, Body-ABS, Reflector-Heat resistant ABS
- Ambient operating temperature : -30°C to +50°C
- Protection Rating : IP54
- Certificates : CE Compliant



## S60ADL LED Steady/Flashing Signal Light

- LED reflector with multi-tiered design provides an even and clear illumination throughout the entire lens
- Selectable between steady and flashing mode
- Flashing rate : 60-80 flashes/min

| Model number | Voltage | Current | Certificates     | Weight | Color   |
|--------------|---------|---------|------------------|--------|---|
| S60ADL       | DC12V   | 0.166A  | CE<br>DC24V only | 0.17kg | <ul style="list-style-type: none"> <li>• R-Red</li> <li>• A-Amber</li> <li>• G-Green</li> <li>• B-Blue</li> </ul> |
|              | DC24V   | 0.125A  |                  | 0.17kg |   |
|              | AC110V  | 0.043A  |                  | 0.32kg |   |
|              | AC220V  | 0.022A  |                  | 0.32kg |   |



## S60ADS Xenon Lamp Strobe Signal Light

- Flashing rate : 60-80 flashes/min

| Model number | Voltage | Current | Certificates     | Weight | Color   |
|--------------|---------|---------|------------------|--------|---|
| S60ADS       | DC12V   | 0.550A  | CE<br>DC24V only | 0.29kg | <ul style="list-style-type: none"> <li>• R-Red</li> <li>• A-Amber</li> <li>• G-Green</li> <li>• B-Blue</li> </ul> |
|              | DC24V   | 0.266A  |                  | 0.29kg |   |
|              | AC110V  | 0.088A  |                  | 0.27kg |   |
|              | AC220V  | 0.044A  |                  | 0.27kg |   |



## S60ADB Bulb Steady/Flashing Signal Light

- Employs a special filament to prevent damage caused by possible voltage variations
- Selectable between steady and flashing mode
- Flashing rate : 60-80 flashes/min

| Model number | Voltage | Current | Bulb    |            |          | Certificates     | Weight | Color   |
|--------------|---------|---------|---------|------------|----------|------------------|--------|---|
|              |         |         | Spec    | Standard   | Parts no |                  |        |   |
| S60ADB       | DC12V   | 1.008A  | 12V10W  | T16x35 15S | 9        | CE<br>DC24V only | 0.19kg | <ul style="list-style-type: none"> <li>• R-Red</li> <li>• A-Amber</li> <li>• G-Green</li> <li>• B-Blue</li> </ul> |
|              | DC24V   | 0.556A  | 24V10W  | T16x35 15S | 10       |                  | 0.19kg |   |
|              | AC110V  | 0.127A  | 110V10W | T16x35 15S | 12       |                  | 0.18kg |   |
|              | AC220V  | 0.064A  | 220V10W | T16x35 15S | 13       |                  | 0.18kg |   |

# S60AD series

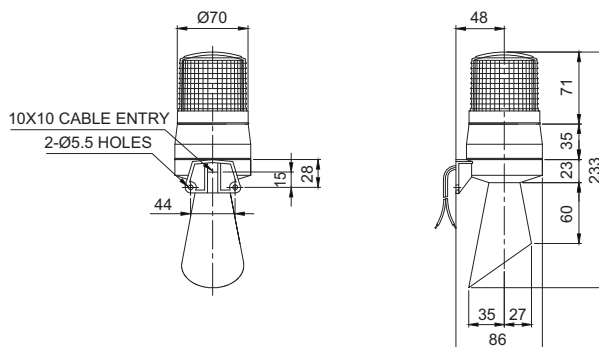
## Signal/ Warning Lights with High Volume Built-in Buzzer



### Technical Diagram

(Units : mm)

S60ADL/ S60ADS/ S60ADB



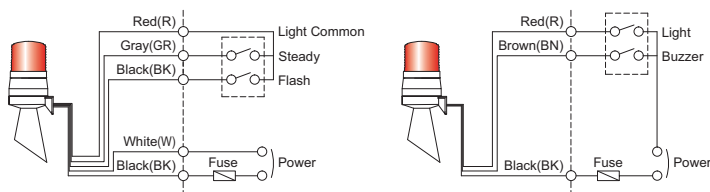
### Wiring Instructions

S60ADB-DC/AC

S60ADL/ S60ADS-DC/AC

EXTERNAL CONTACT

EXTERNAL CONTACT



- S60ADB : Power line standard UL1015 AWG18(0.75sq)×2C 400mm  
Signal line standard UL1007 AWG22(0.3sq) 400mm
- S60ADL/ S60ADS : Signal line UL1007 AWG22(0.3sq) 400mm
- Product can be wired regardless of polarity



### Customization

- 2 buzzer sound types : Both prolonged(beep, beep) and staccato(beep, beep, beep) buzzer output available
- Strong buzzer type 105dB(model number : S60AD-HBZ)



### Ordering Specification

|  |   |  |   |   |
|--|---|--|---|---|
| <b>S60ADL</b>  | - | <b>220</b>   | - | <b>R</b>  |
| [Model number]   |   | [Voltage]  |   | [Color]   |
| <ul style="list-style-type: none"> <li>• S60ADL</li> <li>• S60ADS</li> <li>• S60ADB</li> </ul> |   | <ul style="list-style-type: none"> <li>• 12-DC12V</li> <li>• 24-DC24V</li> <li>• 110-AC110V</li> <li>• 220-AC220V</li> </ul> |   | <ul style="list-style-type: none"> <li>• R-Red</li> <li>• A-Amber</li> <li>• G-Green</li> <li>• B-Blue</li> </ul> |



S60AD emits powerful buzzer sound through the cone type sound radiating structure.

# QWTD series

## Wall Mount LED Signal Towers with Built-in Siren



**Wall mount signal tower with built-in audible alarm is now available!**

- **WS (5 Warning sounds)**
- **WP (5 Special warning sounds)**
- **WM (5 Melodies)**
- **WA (5 Alarms)**



**QWTD series**



### QWTD Speaker

QWTD embedded speaker design minimizes risk of contamination from debris while providing efficient sound output.



### QWTD Ø70mm Wall Mount LED Steady/Flashing Signal Towers

- Wall mount model that minimizes the chance of damage from moving obstacles or personnel
- Superior side visibility with round-shaped lens
- 5 selectable sound pattern combinations(5 warning sounds, 5 special warning sounds, 5 melodies, 5 alarms)
- Selectable between steady/flashing mode with proper wire arrangement
- Standard color arrangements
  - 1 Layer : ●Red
  - 2 Layers : ●Red ●Green
  - 3 Layers : ●Red ●Amber ●Green
  - 4 Layers : ●Red ●Amber ●Green ●Blue
  - 5 Layers : ●Red ●Amber ●Green ●Blue ●Clear White
- Available for customized color arrangements
- Built-in siren sound volume (Max 85dB at 1m)
- Materials : Lens-PC, Cover-ABS, Case-ABS
- Ambient operating temperature : -30°C to +50°C
- Protection rating : IP54
- Certificates : CE Compliant
- Compliant with RoHS directive



### Specifications

| Model number                                     | Layer | Voltage     | Current    | Certificates  | Weight | Color  |
|--|-------|-------------|------------|---------------|--------|--|
| QWTDL<br>Steady<br>QWTDLF<br>Steady/<br>Flashing | 1     | AC/DC12V    | 0.065A     | CE<br>DC Only | 0.14kg | ● R-Red  |
|  |       | AC/DC24V    | 0.050A     |               | 0.14kg |  |
|  |       | AC110V-220V | Max 0.025A |               | 0.27kg |  |
|  | 2     | AC/DC12V    | 0.130A     |               | 0.18kg | ● R-Red<br>● G-Green                                       |
|  |       | AC/DC24V    | 0.100A     |               | 0.18kg |  |
|  |       | AC110V-220V | Max 0.050A |               | 0.32kg |  |
|  | 3     | AC/DC12V    | 0.195A     |               | 0.23kg | ● R-Red<br>● A-Amber<br>● G-Green                          |
|  |       | AC/DC24V    | 0.150A     |               | 0.23kg |  |
|  |       | AC110V-220V | Max 0.075A |               | 0.36kg |  |
|  | 4     | AC/DC12V    | 0.260A     |               | 0.27kg | ● R-Red<br>● A-Amber<br>● G-Green<br>● B-Blue              |
|  |       | AC/DC24V    | 0.200A     |               | 0.27kg |  |
|  |       | AC110V-220V | Max 0.100A |               | 0.41kg |  |
|  | 5     | AC/DC12V    | 0.325A     |               | 0.32kg | ● R-Red<br>● A-Amber<br>● G-Green<br>● B-Blue<br>● W-White |
|  |       | AC/DC24V    | 0.250A     |               | 0.32kg |  |
|  |       | AC110V-220V | Max 0.125A |               | 0.45kg |  |

- QWTD-WS** 5 Pre-Recorded Warning Sounds
- QWTD-WP** 5 Pre-Recorded Special Warning Sounds
- QWTD-WM** 5 Pre-Recorded Melodies
- QWTD-WA** 5 pre-Recorded Alarms

- ※ AC type model has a free-voltage range of 100V-240V.
- ※ Please refer to page 136 for detailed information about selectable sound patterns.

### Signal/Audible Line Power Consumption (per each layer)

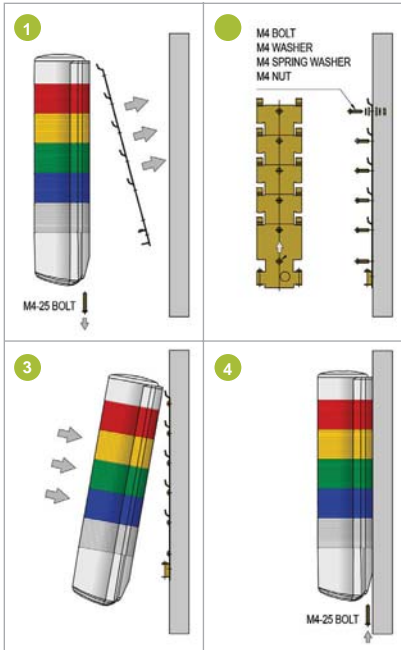
| Voltage Rating             | AC/DC12V | AC/DC24V | AC110V-220V |
|----------------------------|----------|----------|-------------|
| Signal Line Power Current  | 0.040A   | 0.040A   | Max 0.024A  |
| Audible Line Power Current | 0.300A   | 0.160A   | Max 0.031A  |

- ※ You can even rearrange the pre-assembled LED color arrangements after installation.

# QWTD series

## Wall Mount LED Signal Towers with Built-in Siren

### How to mount

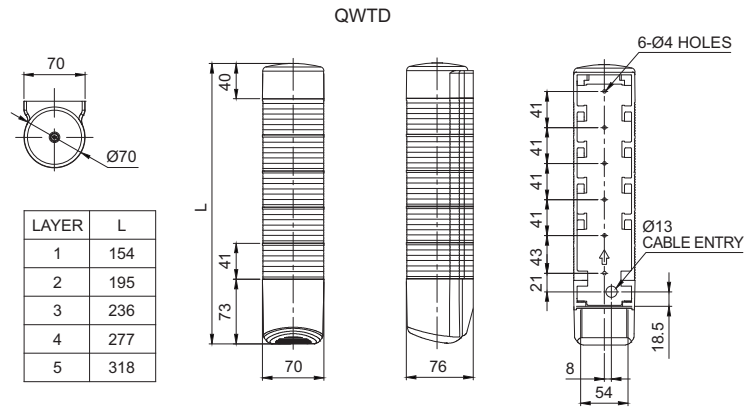


- 1 Dismantle body and mount by loosening two M4 bolts at the bottom of the lamp
- 2 Put the mounting bracket on the mounting hole
- 3 Hang the lamp on the mount
- 4 Fasten two M4 bolts at the bottom of the lamp after completing installation on the mount

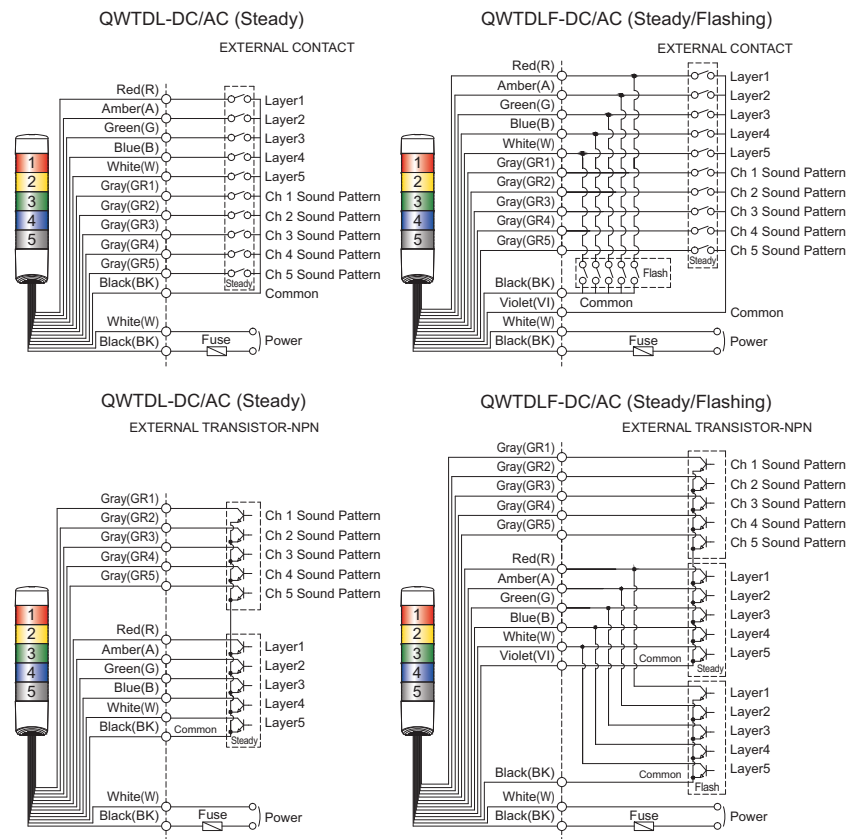


### Technical Diagram

(Units : mm)



### Wiring Instructions



- Wiring both external power line and transistor
- QWTD allows steady/flash mode by wiring
- External power line standard, UL1015 AWG18(0.75sq)×2C 400mm
- Signal line standard, UL1007 AWG22(0.3sq) 400mm
- Product can be wired regardless of polarity



### Customization

- Special color combinations



### Ordering Specification

| QWTDL   | WS  | 3  | 110/220   | RAG  |
|---|---|--|---|--|
| [Model number]  | [Sounds]  | [Layers]   | [Voltage]   | [Color]  |
| <ul style="list-style-type: none"> <li>• QWTDL</li> <li>• QWTDLF</li> </ul> | <ul style="list-style-type: none"> <li>• WS-Warning sound</li> <li>• WP-Special warning sound</li> <li>• WM-Melody</li> <li>• WA-Alarm</li> </ul> | <ul style="list-style-type: none"> <li>• 1-1Layer</li> <li>• 2-2Layers</li> <li>• 3-3Layers</li> <li>• 4-4Layers</li> <li>• 5-5Layers</li> </ul> | <ul style="list-style-type: none"> <li>• 12-DC12V</li> <li>• 24-DC24V</li> <li>• 110/220</li> <li>• -AC110V-220V</li> </ul> | <ul style="list-style-type: none"> <li>• R-Red</li> <li>• A-Amber</li> <li>• G-Green</li> <li>• B-Blue</li> <li>• W-White</li> </ul> |

### Wall Mount Dome Type Signal Light with Electrical Horn

#### Siren Buzzer 105dB, Electric Horn 100-115dB

- 6 Bit input, 5 sound tones for each group
- Binary input 30 sound tones output
- SD Card(MP3) support



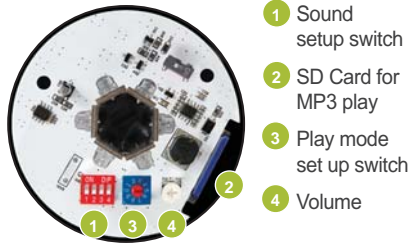
#### • Sound Tone Selection & Volume Control

QAD series are the combination of dome type signal lights and electric horn that allow sound tone selection and volume control through a built-in control panel.

QAD series (external sound product) can the support MP3 format through SD Card. (QAD100H/ QAD125H)

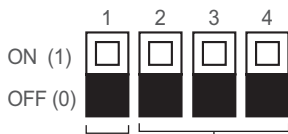
#### Multi-functional Product

##### • How to Setup



##### • Sound Setup Switch

Built-in sound and user-defined sound is toggled by using the sound setup switch '1'.



##### Group Choice in Bit Input Mode

- 001 : WS (5 Warning sounds)
- 010 : WP (5 special warning sounds 1<sup>st</sup> group)
- 011 : WM (5 Melodies)
- 100 : WA (5 Alarms)
- 101 : WO (5 special warning sounds 2<sup>nd</sup> group)
- 110 : WN (5 special warning sounds 3<sup>rd</sup> group)

##### Sound Selection

- 0 : Built-in sound
- 1 : SD Card(MP3)

- Built-in sounds(5WS, 5WP, 5WM, 5WA, 5WO and 5WN)
- Support SD Card(MP3)
- Binary Input : 30Ch
- Bit input : 5Ch(6 groups)
- Support MP3 format through SD Card
- Detailed instructions for multi-functional products are shown on page 140



#### Common Specifications(QAD80/ QAD100/ QAD125)

- Combination of warning light and horn allow for both visual and audible signal transmission at once
- Flashing rate : 60-80 flashes/min(Built-in Steady-Flash selection switch)
- Appropriate sound tones can be chosen depending on the various working environment among various available sound tones
- Sound tone selector and volume controller in front of the device allows for convenient use
- SD Card type allows user defined sound tone
- Built-in 30 sound tones, Support Binary and Bit input modes
- Bit input mode consists of 5 sound types with 6 groups. Choose one of the groups to play 5 sounds.(MP3 does not support group)
- MP3 support(QAD100H/ QAD125H)
- Materials : Lens - PC, Housing - ABS
- Ambient operating temperature : -30°C to +50°C
- Protection rating : IP65
- Compliant with RoHS directive

#### 30 Built-in sounds

Multi-functional product has built-in 30 sound tones

| Sound | Category   | Ch  | Sound Tone              | Sound | Category   | Ch  | Sound Tone           |
|-------|--|-----|-------------------------|-------|--|-----|----------------------|
| WS    | 5 warning sounds                                 | Ch1 | Fire.A-ANG              | WA    | 5 alarms   | Ch1 | Beep Intermittent    |
|       |  | Ch2 | Emergency WA-U(Yelp)    |       |  | Ch2 | Door Chime           |
|       |  | Ch3 | Ambulance PI-PO(Hi-low) |       |  | Ch3 | Phone Ring           |
|       |  | Ch4 | Machinery Fault         |       |  | Ch4 | PI.PI.PI Short       |
|       |  | Ch5 | High Expansion          |       |  | Ch5 | Tripping Beat        |
| WP    | 5 special warning sounds (1 <sup>st</sup> group) | Ch1 | Fire.A-ANG              | WO    | 5 special warning sounds (2 <sup>nd</sup> group) | Ch1 | Rel rel rel          |
|       |  | Ch2 | Abandon Alarm           |       |  | Ch2 | Slow Ambulance PI-PO |
|       |  | Ch3 | Machinery Fault         |       |  | Ch3 | Wye yong Wye yong    |
|       |  | Ch4 | High Expansion          |       |  | Ch4 | Phone ring 2         |
|       |  | Ch5 | 7 Short Pl. / 1 Long    |       |  | Ch5 | Fire.A-ANG           |
| WM    | 5 melodies                                       | Ch1 | Sweet Home              | WN    | 5 special warning sounds (3 <sup>rd</sup> group) | Ch1 | Oit Oit              |
|       |  | Ch2 | For Elise               |       |  | Ch2 | Pi o Pi o            |
|       |  | Ch3 | Cuckoo's Waltz          |       |  | Ch3 | Slow Di o Di o       |
|       |  | Ch4 | Piano Sonata            |       |  | Ch4 | Li long Li ling      |
|       |  | Ch5 | Turkish March           |       |  | Ch5 | 911 Siren            |

#### User-defined sound (MP3)

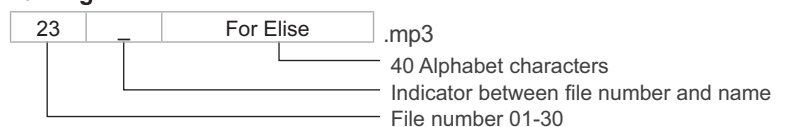
##### User-defined sound(MP3) type



Customer can create a playlist and grouping conveniently through PC. Product supports up to 32Gbyte. SD Card is an optional item.

\*SD Card needs to be purchased.

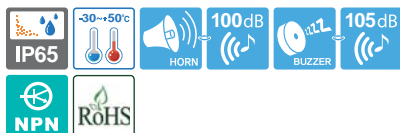
##### MP3 file naming





# QAD series

## Signal/ LED Warning Lights with High Volume Built-in Buzzer



- 6 Bit input, 5 sound tones for each group
- Binary input 30 sound tones output



**QAD80 series**

QAD80 does not support SD Card.



QAD series buzzer and electric sound is rich and clear because the RESONANCE CHAMBER amplifies the sound.

**⚠ Do not supply power into the signal line. Product may be damaged as a result**

- Once powering on, signal light will work. However, the speaker will require additional wiring.

### QAD80H Wall Mount Type LED Steady/ Flash & Electric Horn

• Built-in sound

| Model number | Voltage   | Current    | Sound Pattern and volume  | Certificates | Weight | Color   |
|--------------|-----------|------------|---|--------------|--------|---|
| QAD80H       | DC12V-24V | Max 0.640A | <ul style="list-style-type: none"> <li>• Bit Input : 5Ch</li> <li>• Binary Input: 30Ch</li> <li>• Warning sounds : Max 100dB</li> </ul> | -            | 0.70kg | <ul style="list-style-type: none"> <li>• R-Red</li> <li>• A-Amber</li> <li>• G-Green</li> <li>• B-Blue</li> </ul> |

※ Operating range for DC model : DC10V-30V

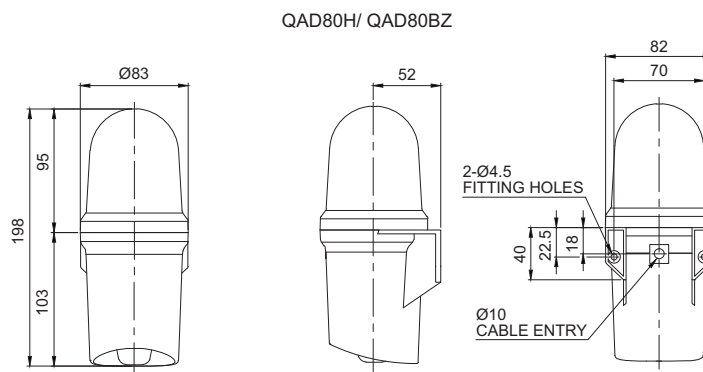
### QAD80BZ Wall Mount Type LED Steady/ Flash & Strong Buzzer

• Built-in strong buzzer

| Model number | Voltage | Current | Sound Pattern and volume    | Certificates | Weight | Color   |
|--------------|---------|---------|-----------------------------|--------------|--------|---|
| QAD80BZ      | DC12V   | 0.500A  | • Buzzer Volume : Max 105dB | -            | 0.75kg | <ul style="list-style-type: none"> <li>• R-Red</li> <li>• A-Amber</li> <li>• G-Green</li> <li>• B-Blue</li> </ul> |
|              | DC24V   | 0.270A  |                             |              | 0.75kg |   |

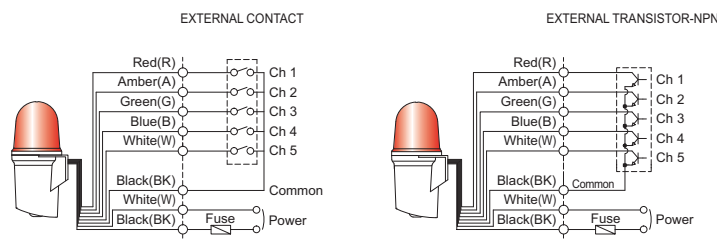
### Technical Diagram

(Units : mm)



### Wiring Instructions

#### QAD80H-DC



- External power line standard, UL1015 AWG18(0.75sq)×2C 400mm
- Signal line standard, UL1007 AWG22(0.3sq) 400mm
- Product can be wired regardless of polarity
- In case of 6 Bits input, 5 sound tones can be played. For Binary input, 30 sound tones can be played

※ Detailed instructions for multi-functional products are shown on page 140. (Wiring Instructions substitutes for channel selection switch)

### Ordering Specification

| QAD80H         | - | 12/24                    | - | R   |
|----------------|---|--------------------------|---|---|
| [Model number] |   | [Voltage]                |   | [Color]   |
| • QAD80H       |   | • 12/24-DC12V-24V        |   | <ul style="list-style-type: none"> <li>• R-Red</li> <li>• A-Amber</li> <li>• G-Green</li> <li>• B-Blue</li> </ul> |
| • QAD80BZ      |   | • 12-DC12V<br>• 24-DC24V |   |   |

# QAD series

## Signal/ LED Warning Lights with High Volume Built-in Buzzer



- 6 Bit input, 5 sound tones for each group
- Binary input 30 sound tones output SD Card(MP3) support



QAD100 series



QAD series buzzer and electric sound is rich and clear because the RESONANCE CHAMBER amplifies the sound.

- ⚠ Do not supply power into the signal line. Product may be damaged as a result**
- Once powering on, signal light will work. However, the speaker will require additional wiring.

### QAD100H Wall Mount Type LED Steady/ Flash & Electric Horn

- Built-in sound/ MP3

| Model number | Voltage     | Current    | Sound Pattern and Volume  | Certificates | Weight | Color                 |
|--------------|-------------|------------|---|--------------|--------|-----------------------|
| QAD100H      | DC12V-24V   | Max 1.055A | • Bit Input : 5Ch<br>• Binary Input : 30Ch<br>• Warning : Max 100dB<br>• MP3 : Max 95dB | -            | 0.92kg | • R-Red<br>• A-Amber  |
|              | AC110V-220V | Max 0.360A |   |              | 0.94kg | • G-Green<br>• B-Blue |

- \* DC type model has a free-voltage range of 10V-30V.
- \* AC type model has a free-voltage range of 100V-240V.

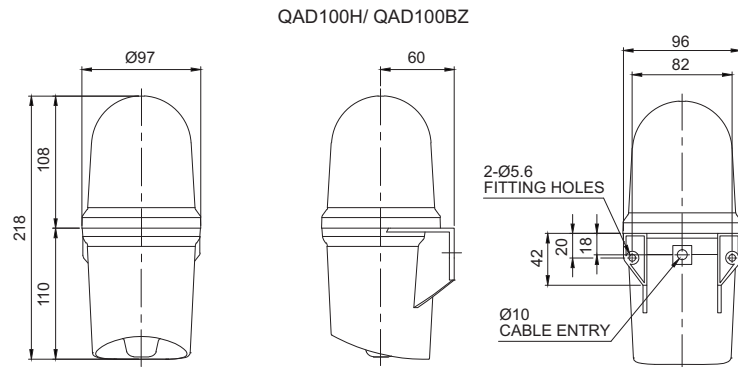
### QAD100BZ Wall Mount Type LED Steady/ Flash & Strong Buzzer

- Built-in strong buzzer

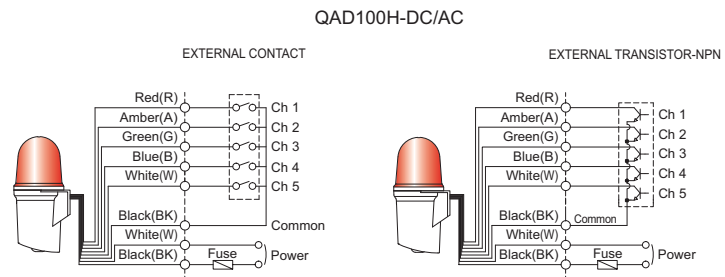
| Model number | Voltage     | Current    | Sound Pattern and Volume    | Certificates | Weight | Color                 |
|--------------|-------------|------------|-----------------------------|--------------|--------|-----------------------|
| QAD100BZ     | DC12V       | 0.550A     | • Buzzer Volume : Max 105dB | -            | 0.98kg | • R-Red               |
|              | DC24V       | 0.300A     |                             |              |        | • A-Amber             |
|              | AC110V-220V | Max 0.100A |                             |              |        | • G-Green<br>• B-Blue |

- \* AC type model has a free-voltage range of 100V-240V.

### Technical Diagram (Units : mm)



### Wiring Instructions



- External power line standard, UL1015 AWG18(0.75sq)×2C 400mm
- Signal line standard, UL1007 AWG22(0.3sq) 400mm
- Product can be wired regardless of polarity
- In case of 6 Bits input, 5 sound tones can be played. For Binary input, 30 sound tones can be played

\* Detailed instructions for multi-functional products are shown on page 140. (Wiring Instructions substitutes for channel selection switch)

### Ordering Specification

|                        |   |  |   |   |
|------------------------|---|--|---|---|
| <b>QAD100H</b>         | - | <b>110/220</b>                             | - | <b>R</b>                                      |
| [Model number]         |   | [Voltage]                                  |   | [Color]                                       |
| • QAD100H<br>• QAD125H |   | • 12/24-DC12V-24V<br>• 110/220-AC110V-220V |   | • R-Red<br>• A-Amber<br>• G-Green<br>• B-Blue |

# QAD series

## Signal/ LED Warning Lights with High Volume Built-in Buzzer



- 6 Bit input, 5 sound tones for each group
- Binary input 30 sound tones output SD Card(MP3) support



QAD125 series



QAD series buzzer and electric sound is rich and clear because the RESONANCE CHAMBER amplifies the sound.

**⚠ Do not supply power into the signal line. Product may be damaged as a result**

- Once powering on, signal light will work. However, the speaker will require additional wiring.

### QAD125H Wall Mount Type LED Steady/ Flash & Electric Horn

- Built-in sound/MP3

| Model number | Voltage     | Current    | Sound Pattern and Volume   | Certificates | Weight | Color   |
|--------------|-------------|------------|--|--------------|--------|---|
| QAD125H      | DC12V-24V   | Max 1.055A | • Bit Input : 5Ch<br>• Binary Input : 30Ch<br>• Warning : Max 115dB<br>• MP3 : Max 100dB | -            | 1.12kg | • R-Red<br>• A-Amber<br>• G-Green<br>• B-Blue |
|              | AC110V-220V | Max 0.360A |  |              | 1.14kg |   |

※ DC type model has a free-voltage range of 10V-30V.

※ AC type model has a free-voltage range of 100V-240V.

### QAD125BZ Wall Mount Type LED Steady/ Flash & Strong Buzzer

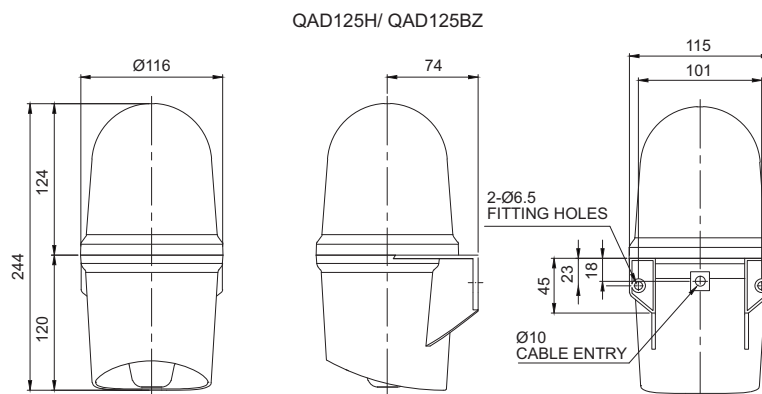
- Built-in strong buzzer

| Model number | Voltage     | Current    | Sound Pattern and Volume    | Certificates | Weight | Color   |
|--------------|-------------|------------|-----------------------------|--------------|--------|---|
| QAD125BZ     | DC12V       | 0.550A     | • Buzzer Volume : Max 105dB | -            | 1.22kg | • R-Red<br>• A-Amber<br>• G-Green<br>• B-Blue |
|              | DC24V       | 0.300A     |                             |              | 1.27kg |   |
|              | AC110V-220V | Max 0.100A |                             |              |        |   |

※ AC type model has a free-voltage range of 100V-240V.

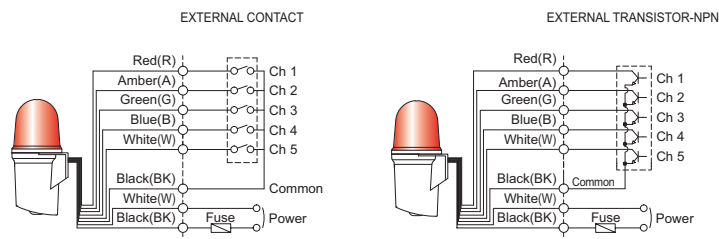
### Technical Diagram

(Units : mm)



### Wiring Instructions

QAD125H-DC/AC



- External power line standard, UL1015 AWG18(0.75sq)×2C 400mm
- Signal line standard, UL1007 AWG22(0.3sq) 400mm
- Product can be wired regardless of polarity
- In case of 6 Bits input, 5 sound tones can be played. For Binary input, 30 sound tones can be played

※ Detailed instructions for multi-functional products are shown on page 140. (Wiring Instructions substitutes for channel selection switch)

### Ordering Specification

|                          |   |   |   |   |
|--------------------------|---|---|---|---|
| <b>QAD125BZ</b>          | - | <b>24</b>   | - | <b>R</b>                                      |
| [Model number]           |   | [Voltage]   |   | [Color]                                       |
| • QAD100BZ<br>• QAD125BZ |   | • 12-DC12V<br>• 24-DC24V<br>• 110/220-AC110V-220V |   | • R-Red<br>• A-Amber<br>• G-Green<br>• B-Blue |

# QWCD series

## LED Strobe Signal Light and Electric Horn Combinations

### A new concept of using the horn cover as a light globe

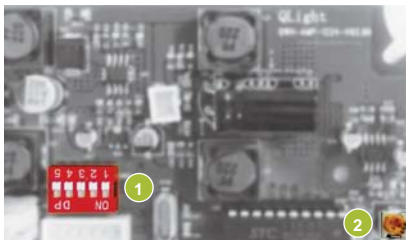


**QWCD series is a patented product with an integrated horn and light globe.**  
(Patent registration : 10-1452447 horn having a light emitting part)

| QWCD series |   |
|-------------|---|
| QWCD35      | Built-in standard sound                     |
| QWCD35SD    | MP3(SD Card)                                |
| QWCD50      | Built-in standard sound, large output sound |
| QWCD50SD    | SD Card(MP3). Large output sound            |

- By using the horn cover as a light globe, the size of the product has been reduced significantly
- The color of light can be selected from red, yellow, green, or blue
- Product has two models : the basic model with 31 built-in sounds, and an external sound (MP3) type model
- Includes seven different playback functions; one function is the continuous playback function which provides constant message notification
- There are 31 built-in sounds that can be played in various environments, and supports a Binary input method
- You can save and play up to 31 mp3 files using a external SD Card
- Can easily set up the sounds using a PC
- By making the horn cover with polycarbonate (PC) material, The product has excellent durability and weather resistance
- Can be used for heavy-duty, ship, or outdoor use which requires waterproof, dustproof structure (IP66)

#### Built-in sound type



- 1 Sound selection switch
- 2 Volume

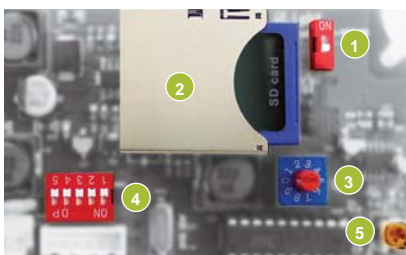
#### The input method of built-in sound type

|     | 1 | 2 | 3 | 4 | 5 |
|-----|---|---|---|---|---|
| No. | 1 | 2 | 3 | 4 | 5 |
| 0   | 0 | 0 | 0 | 0 | 0 |
| 1   | 0 | 0 | 0 | 0 | 1 |
| 2   | 0 | 0 | 0 | 1 | 0 |
| :   | : | : | : | : | : |
| 31  | 1 | 1 | 1 | 1 | 1 |

Built-in sound type model supports Binary input mode which provides a selection of 31 different input combinations for five kinds of sounds.

You can only select 2 numbers with 1 switch; "0", "1". With 5 switches you can have 31 combinations. Selecting one sound from 5 switches is the Binary input method.

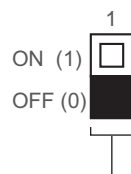
#### SD Card(MP3) type



- 1 Sound setting switch
- 2 MP3 playable SD Card
- 3 Play mode setting switch
- 4 Sound select switch
- 5 Volume

#### The sound selection method of SD Card type

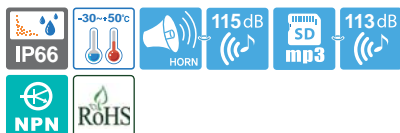
Can easily select built-in sound or external sound(MP3) by using the sound selection switch.



**The sound selection**  
0 : Select built-in sound  
1 : Select SD Card

- 31 built-in special warning sounds
- Supports SD Card (MP3)
- Binary Input : 31Ch
- Bit Input : 5Ch (SD Card only)
- A multifunctional product that can play MP3 files using an SD Card
- Please refer to page 138 for detailed settings
- Built-in sound is set to #1 as default

# QWCD series



- Qlight's exclusive innovative design - the horn cover emits light!
- Combination of 31 sound options built in and SD Card(MP3) option



QWCD35 series



QWCD35 model applied in an automobile production plant environment.

## LED Strobe Signal Light and Electric Horn Combinations

### Common Specifications(QWCD35/ QWCD35SD/ QWCD50/ QWCD50SD)

- Easy device customization with built in sound selection function, volume adjustment function and an SD Card slot for user inputted tones
- 31 available tones that can be selected for a variety of environments
- The user can select their own tones by inputting the MP3 file directly into the SD Card
- 31 pre-recorded tones available via binary input
- Suitable for use in environments that require a tight seal and superior dust protection rated IP66
- Flashing rate : 60-80 flashes/min(steady/flashing mode selection available in built in switch)
- Materials : Horn-PC, Body-PC+ABS
- Ambient operating temperature : -50°C to +60°C(Standard type)  
-20°C to +50°C(SD Card type)
- Protection Rating : IP66
- Certificates : CE Compliant, UL Listed
- Compliant with RoHS directive

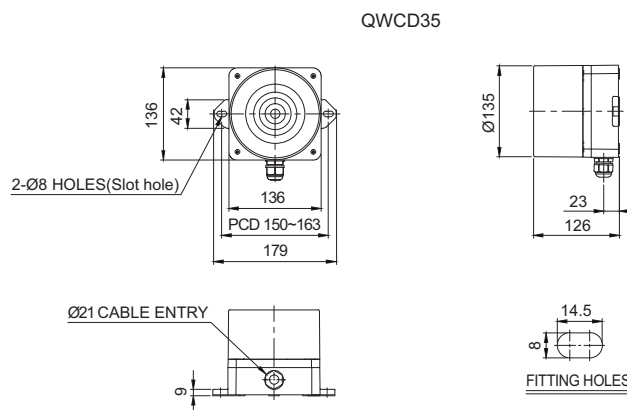
### QWCD35 LED Strobe Signal Light and Electric Horn Combination

| Model number                      | Voltage     | Current   | Sound Pattern and Volume                             | Certificates  | Weight | Color                 |
|-----------------------------------|-------------|-----------|--|---------------|--------|-----------------------|
| QWCD35<br>Built-in standard sound | DC12V-24V   | Max 1.30A | • Bit Input : 5Ch (SD Card)<br>• Binary Input : 31Ch | CE<br>DC Only | 1.10kg | • R-Red<br>• A-Amber  |
| QWCD35SD<br>MP3                   | AC110V-220V | Max 0.31A | • Warning Sounds: 115dB<br>• MP3 Messages : 113dB    | UL<br>DC Only | 1.15kg | • G-Green<br>• B-Blue |

※ DC type model has a free-voltage range of 10V-30V.  
※ AC type model has a free-voltage range of 100V-240V.

### Technical Diagram

(Units : mm)



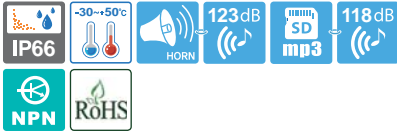
### Customization

- External signal line available for users to connect their own sound input (Model number : -LC)

### Ordering Specification

| QWCD35                 | - | 110/220  | - | R   | - | LC  |
|------------------------|---|--|---|---|---|---|
| [Model number]         |   | [Voltage]  |   | [Color]                                       |   | [sound selection]   |
| • QWCD35<br>• QWCD35SD |   | • 12/24<br>• -DC12V-24V<br>• 110/220<br>• -AC110V-220V |   | • R-Red<br>• A-Amber<br>• G-Green<br>• B-Blue |   | • Standard<br>• -Built-in switch<br>• LC<br>• -External contact |

# QWCD series



- Qlight's exclusive innovative design - the horn cover emits light!
- Combination of 31 sound options built in and SD Card(MP3) option



QWCD50 series

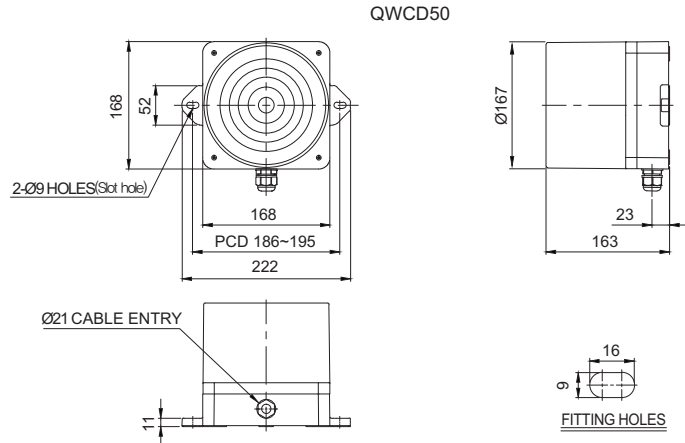
## LED Strobe Signal Light and Electric Horn Combinations

### QWCD50 LED Strobe Light and Electric Horn Combination

| Model number            | Voltage     | Current    | Sound Pattern and Volume    | Certificates | Weight | Color   |
|-------------------------|-------------|------------|-----------------------------|--------------|--------|---|
| QWCD50                  | DC12V       | 6.4A       | • Bit Input : 5Ch (SD Card) |              | 2.7kg  | <ul style="list-style-type: none"> <li>• R-Red</li> <li>• A-Amber</li> <li>• G-Green</li> <li>• B-Blue</li> </ul> |
| Built-in standard sound | DC24V       | 3.2A       | • Binary Input : 31Ch       |              | 2.7kg  |   |
| QWCD50SD                | AC110V-220V | Max 0.600A | • Warning Sounds: 123dB     |              | 3.0kg  |   |
| MP3                     |             |            | • MP3 Messages : 118dB      |              |        |   |

※ AC type model has a free-voltage range of 100V-240V.

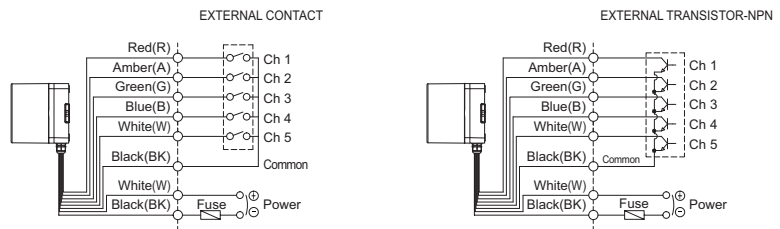
### Technical Diagram (Units : mm)



### Wiring Instructions

- Standard specification : Use internal switches
- Customization : Use external contact

QWCD-DC/AC



- Wiring to external contact and transistor
- Wiring to transistor, use the NPN transistor
- Power line standard UL1015 AWG18(0.75sq)×2C 400mm
- Signal line standard UL1007 AWG22(0.3sq) 400mm
- DC type : Black output line is negative(-)
- Channel selection : Bit input, 5 sound tones for each group
- Binary input 31 sound tones output

\* Please refer to Page 138 for set of channel input. (If wiring is changed by channel selection switch)

### Customization

- External sound selection line(Model number : -LC)

### Ordering Specification

| QWCD50   | - | 110/220   | - | R   | - | LC  |
|--|---|---|---|---|---|---|
| [Model number]   |   | [Voltage]   |   | [Color]   |   | [sound selection]   |
| <ul style="list-style-type: none"> <li>• QWCD50</li> <li>• QWCD50SD</li> </ul> |   | <ul style="list-style-type: none"> <li>• 12-DC12V</li> <li>• 24-DC24V</li> <li>• 110/220</li> <li>• -AC110V-220V</li> </ul> |   | <ul style="list-style-type: none"> <li>• R-Red</li> <li>• A-Amber</li> <li>• G-Green</li> <li>• B-Blue</li> </ul> |   | <ul style="list-style-type: none"> <li>• Standard</li> <li>• -Built-in switch</li> <li>• LC</li> <li>• -External contact</li> </ul> |

# SJD series

## Stackable Cube Tower Lights with Built-in Alarm



SJD

### Common Specifications(SJD/ SJDL/ SJDS)

- Cube-shaped(95×95mm) stacked tower lights and audible alarm combinations
- Lamp can be selectable among bulb revolving, LED steady/flashing, xenon strobe depending on installation environment
- 5 Warning sounds, 5 Melodies, 5 Alarms, and 5 Customizable sounds available
- WV type : Input audio message needs to be provided to us by the customer prior to manufacturing
- Multiple stacked light segments conserves space
- Standard color arrangements are as below :
  - 1 Layer : ● R-Red
  - 2 Layers : ● R-Red ● G-Green
  - 3 Layers : ● R-Red ● A-Amber ● G-Green
- Materials : Lens-AS, Body-ABS, Reflector-Heat resistant ABS
- Protection rating : IP23

### SJD Bulb Revolving Cube Tower Light

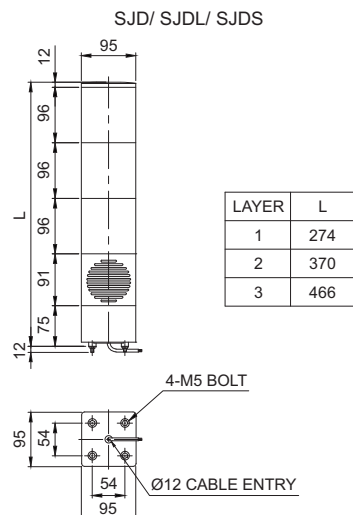
- Employs a special power transmission system that minimizes noise and wear
- Available in customized color arrangements
- Revolving speed : 120-140RPM
- Ambient operating temperature : -20°C to +50°C

| Model number | layer | Voltage | Current | Bulb  |            |          | Sound Pattern and Volume  | Certificates | Weight                 | Color                             |
|--------------|-------|---------|---------|-------|------------|----------|---|--------------|------------------------|-----------------------------------|
|              |       |         |         | Spec  | Standard   | Parts no |   |              |                        |                                   |
| SJD          | 1     | DC12V   | 0.751A  | 12V5W | T16x35 15S | 5        | • WS-5 warning sounds : 90dB<br>• WM-5 Melodies : 90dB<br>• WA-5 Alarms : 80dB<br>• WV-5 customizable sounds : 80dB | -            | DC-1.41kg<br>AC-1.79kg | ● R-Red                           |
|              |       | DC24V   | 0.521A  | 24V5W | T16x35 15S | 6        |   |              |                        |                                   |
|              |       | AC110V  | 0.164A  | 12V5W | T16x35 15S | 5        |   |              |                        |                                   |
|              |       | AC220V  | 0.082A  | 12V5W | T16x35 15S | 5        |   |              |                        |                                   |
|              | 2     | DC12V   | 1.235A  | 12V5W | T16x35 15S | 5        |   | -            | DC-1.65kg<br>AC-2.04kg | ● R-Red<br>● G-Green              |
|              |       | DC24V   | 0.831A  | 24V5W | T16x35 15S | 6        |   |              |                        |                                   |
|              |       | AC110V  | 0.208A  | 12V5W | T16x35 15S | 5        |   |              |                        |                                   |
|              |       | AC220V  | 0.104A  | 12V5W | T16x35 15S | 5        |   |              |                        |                                   |
|              | 3     | DC12V   | 1.720A  | 12V5W | T16x35 15S | 5        |   | -            | DC-1.90kg<br>AC-2.29kg | ● R-Red<br>● A-Amber<br>● G-Green |
|              |       | DC24V   | 1.141A  | 24V5W | T16x35 15S | 6        |   |              |                        |                                   |
|              |       | AC110V  | 0.191A  | 12V5W | T16x35 15S | 5        |   |              |                        |                                   |
|              |       | AC220V  | 0.126A  | 12V5W | T16x35 15S | 5        |   |              |                        |                                   |

※ Please refer to page 136 for detailed information about selectable sound patterns.

### Technical Diagram

(Units : mm)



# SJD series

## Stackable Cube Tower Lights with Built-in Alarm



**A variety of pre-recorded sound patterns - warning sounds, melodies and alarms**



**SJD/ SJDS**

**⚠ Do not apply a voltage to each signal line. It may cause damage to the product**

- SJD/ SJDS type can be wiring with external contact and transistor.
- Wiring to transistor, use the NPN transistor. Please wire properly based on technical diagram.
- **Bulb type SJD and xenon lamp type can not be wiring with transistor.**
- **Please use external contact.**

### Wiring Instructions

- External power line standard : UL1015 AWG18(0.75sq)×2C 400mm
- External signal line standard : UL1007 AWG22(0.3sq) 400mm
- DC type : Black output line is negative(-)

### Customization

- Customized color arrangements available

### SJD/ SJDS LED Steady/Flashing Tower Light

- Wide diffusion lens of 96mm height provides a powerful LED signal light
- Built-in switches for steady/flashing mode
- Flashing rate : 60-80 flashes/min
- Ambient operating temperature : -30°C to +50°C

| Model number | Layer | Voltage | Current | Sound Pattern and Volume  | Certificates | Weight                 | Color                             |
|--------------|-------|---------|---------|---|--------------|------------------------|-----------------------------------|
| SJD/ SJDS    | 1     | DC12V   | 0.337A  | <ul style="list-style-type: none"> <li>• WS -5 Warning sounds : 90dB</li> <li>• WM -5 Melodies : 90dB</li> <li>• WA -5 Alarms : 85dB</li> <li>• WV -5 Customizable sounds : 80dB</li> </ul> | -            | DC-1.63kg<br>AC-1.63kg | • R-Red                           |
|              |       | DC24V   | 0.326A  |   |              |                        |                                   |
|              |       | AC110V  | 0.124A  |   |              |                        |                                   |
|              | 2     | DC12V   | 0.488A  |   |              | DC-1.80kg<br>AC-1.80kg | • R-Red<br>• G-Green              |
|              |       | DC24V   | 0.442A  |   |              |                        |                                   |
|              |       | AC110V  | 0.140A  |   |              |                        |                                   |
|              | 3     | DC12V   | 0.600A  |   |              | DC-2.04kg<br>AC-2.04kg | • R-Red<br>• A-Amber<br>• G-Green |
|              |       | DC24V   | 0.557A  |   |              |                        |                                   |
|              |       | AC110V  | 0.155A  |   |              |                        |                                   |
|              |       | AC220V  | 0.077A  |   |              |                        |                                   |

※ Please refer to page 136 for detailed information about selectable sound patterns.

### SJDS Xenon Lamp Strobe Tower Light

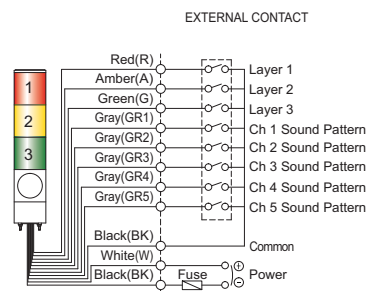
- Diffusion strong light offers long distance transmission of signal light
- Lamp connector fastening structure allows for convenient lamp replacement
- Flashing rate : 60-80 flashes/min
- Ambient operating temperature : -30°C to +50°C

| Model number | Layer | Voltage | Current | Sound Pattern and Volume  | Certificates | Weight                 | Color                             |
|--------------|-------|---------|---------|---|--------------|------------------------|-----------------------------------|
| SJDS         | 1     | DC12V   | 0.988A  | <ul style="list-style-type: none"> <li>• WS -5 Warning sounds : 90dB</li> <li>• WM -5 Melodies : 90dB</li> <li>• WA -5 Alarms : 85dB</li> <li>• WV -5 Customizable sounds : 80dB</li> </ul> | -            | DC-1.25kg<br>AC-1.66kg | • R-Red                           |
|              |       | DC24V   | 0.600A  |   |              |                        |                                   |
|              |       | AC110V  | 0.195A  |   |              |                        |                                   |
|              | 2     | DC12V   | 1.171A  |   |              | DC-1.45kg<br>AC-1.84kg | • R-Red<br>• G-Green              |
|              |       | DC24V   | 0.988A  |   |              |                        |                                   |
|              |       | AC110V  | 0.328A  |   |              |                        |                                   |
|              | 3     | DC12V   | 2.433A  |   |              | DC-1.64kg<br>AC-2.03kg | • R-Red<br>• A-Amber<br>• G-Green |
|              |       | DC24V   | 1.377A  |   |              |                        |                                   |
|              |       | AC110V  | 0.462A  |   |              |                        |                                   |
|              |       | AC220V  | 0.351A  |   |              |                        |                                   |

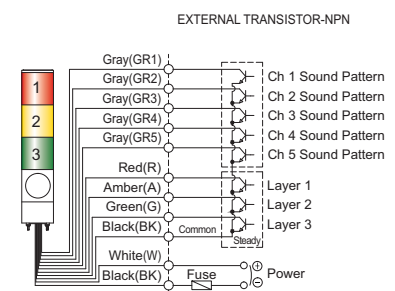
※ Please refer to page 136 for detailed information about selectable sound patterns.

### Wiring Instructions

SJD/ SJDL/ SJDS-DC/AC



SJD/ SJDL-DC/AC



### Ordering Specification

| SJD   | WA   | 3  | 220  | RAG   |
|---|--|--|--|---|
| [Model number]  | [Sound selection]  | [Layer]  | [Voltage]  | [Color]   |
| <ul style="list-style-type: none"> <li>• SJD</li> <li>• SJDL</li> <li>• SJDS</li> </ul> | <ul style="list-style-type: none"> <li>• WS-Warning</li> <li>• WM-Melody</li> <li>• WA-Alarm</li> <li>• WV-Customizable sound</li> </ul> | <ul style="list-style-type: none"> <li>• 1-1Layer</li> <li>• 2-2Layers</li> <li>• 3-3Layers</li> </ul> | <ul style="list-style-type: none"> <li>• 12-DC12V</li> <li>• 24-DC24V</li> <li>• 110-AC110V</li> <li>• 220-AC220V</li> </ul> | <ul style="list-style-type: none"> <li>• R-Red</li> <li>• A-Amber</li> <li>• G-Green</li> </ul> |



# STD series

## LED Steady/Flashing Tower light and Electric Horn Combinations



**A variety of pre-recorded sound patterns-warning sounds, melodies, and alarms**



**STD series**

- STD series offers pre-recorded sounds
- For the WV(5 Customizable sounds) type, input audio messages needs to be provided by the customer prior to manufacturing



STDL is installed at Hi-Pass entrance on the expressway.

### **STDL LED Steady/Flashing Tower Light & Electric Horn**

- LED steady/flashing mode
- Available in customized color arrangements
- Flashing rate : 60-80 flashes/min
- Ø80mm stackable light and electric horn combination provides both audible and visual signaling capability in one unit
- Can select the proper tone from a variety of built-in sound options to fit your application needs
- WV type : Input audio messages needs to be provided by the customer prior to manufacturing
- Multiple stacked light segments conserve space
- Standard color arrangements
  - 1 Layer : ● R-Red
  - 2 Layers : ● R-Red ● G-Green
  - 3 Layers : ● R-Red ● A-Amber ● G-Green
  - 4 Layers : ● R-Red ● A-Amber ● G-Green ● B-Blue
  - 5 Layers : ● R-Red ● A-Amber ● G-Green ● B-Blue ● W-Clear White
- Materials : Lens-AS, Housing-ABS, Reflector-Heat resistant ABS
- Ambient operating temperature : -30°C to +50°C
- Protection ratings : IP54
- Certificates : CE Compliant
- Compliant with RoHS directive

#### **Specifications**

| Model number                                   | Layer | Voltage  | Current | Sound Pattern and Volume   | Certificates        | Weight                 | Color  |
|--|-------|----------|---------|--|---------------------|------------------------|--|
| STDL<br>Steady<br>STDLF<br>Steady/<br>Flashing | 1     | AC/DC12V | 0.380A  | <ul style="list-style-type: none"> <li>• WS<br/>-5 Warning sounds : 105dB</li> <li>• WM<br/>-5 Melodies : 105dB</li> <li>• WA<br/>-5 Alarms : 103dB</li> <li>• WV<br/>-5 Customizable sounds : 95dB</li> </ul> | CE<br>DC24V<br>Only | DC-0.80kg<br>AC-1.39kg | ● R-Red  |
|  |       | AC/DC24V | 0.330A  |  |                     |                        |  |
|  |       | AC110V   | 0.115A  |  |                     |                        |  |
|  | 2     | AC/DC12V | 0.490A  |  |                     |                        |  |
|  |       | AC/DC24V | 0.440A  |  |                     |                        |  |
|  |       | AC110V   | 0.121A  |  |                     |                        |  |
|  | 3     | AC/DC12V | 0.600A  |  |                     |                        |  |
|  |       | AC/DC24V | 0.550A  |  |                     |                        |  |
|  |       | AC110V   | 0.127A  |  |                     |                        |  |
|  | 4     | AC/DC12V | 0.710A  |  |                     |                        |  |
|  |       | AC/DC24V | 0.660A  |  |                     |                        |  |
|  |       | AC110V   | 0.133A  |  |                     |                        |  |
|  | 5     | AC/DC12V | 0.820A  |  |                     |                        |  |
|  |       | AC/DC24V | 0.770A  |  |                     |                        |  |
|  |       | AC110V   | 0.139A  |  |                     |                        |  |
|  |       | AC220V   | 0.070A  |  |                     | DC-1.30kg<br>AC-1.74kg | ● R-Red<br>● A-Amber<br>● G-Green<br>● B-Blue<br>● W-White |

※ Please refer to page 136 for detailed information about selectable sound patterns.

#### **Customization**

- Customized light sources and light mode

| Model number | Lens Diameter | Lens Height | Light Mode          | Tower Light Part Model |
|--------------|---------------|-------------|---------------------|------------------------|
| STD56EL(F)   | Ø56mm         | 40mm        | LED Steady/Flashing | ST56EL                 |
| STD56L(F)    | Ø56mm         | 70mm        | LED Steady/Flashing | ST56L                  |
| STDEL(F)     | Ø80mm         | 40mm        | LED Steady/Flashing | ST80EL                 |

- Customized color arrangements available
- Wall mount brackets

# STD series

## LED Steady/Flashing Tower light and Electric Horn Combinations

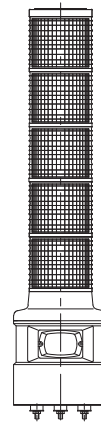


### Technical Diagram

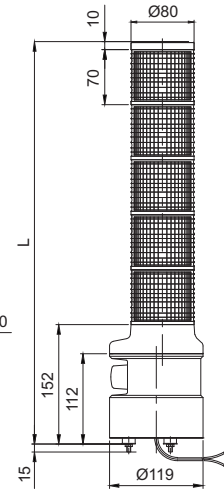
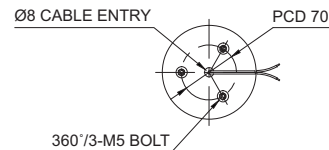
(Units : mm)



STDL/ STDLF



| LAYER | L   |
|-------|-----|
| 1     | 232 |
| 2     | 302 |
| 3     | 372 |
| 4     | 442 |
| 5     | 512 |



### Wiring Instructions

- External power line standard : UL1015 AWG18(0.75sq)×2C 400mm
- External signal line standard : UL1007 AWG22(0.3sq) 400mm
- Product can be wired regardless of polarity(Non-polarity)



**Do not supply power to each signal line. It may cause damage to the product**

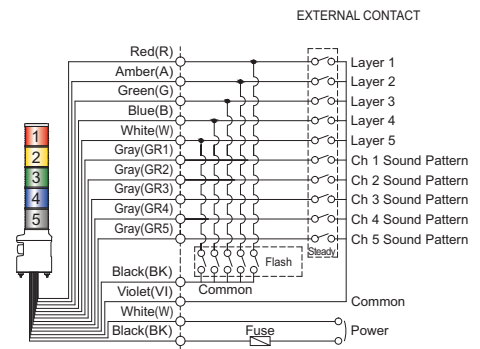
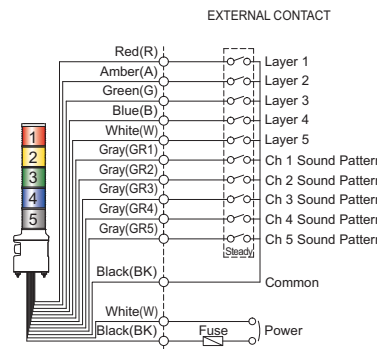
- STDL/ STDLF model wiring can be done with either external contact or external transistors.
- In case of wiring by using transistor, NPN transistor is needed and follow the wiring diagram on the right in order to wire properly.



### Wiring Instructions

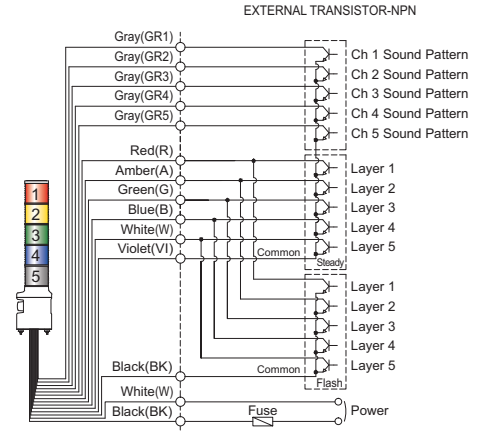
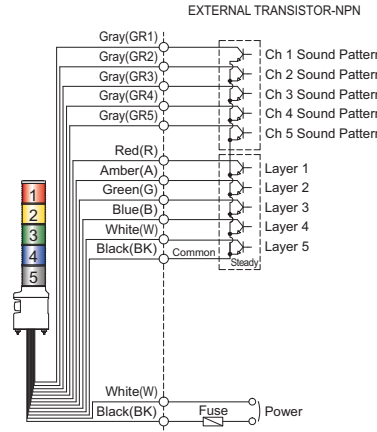
STDL-DC/AC (Steady)

STDLF-DC/AC (Steady/Flashing)



STDL-DC/AC (Steady)

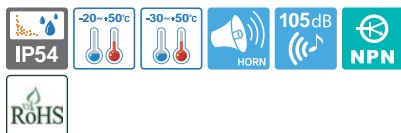
STDLF-DC/AC (Steady/Flashing)



### Ordering Specification

|   |   |  |   |  |   |  |   |  |
|---|---|--|---|--|---|--|---|--|
| <b>STDL</b>   | - | <b>WA</b>  | - | <b>3</b>   | - | <b>220</b>   | - | <b>RAG</b>   |
| [Model number]  |   | [Sound selection]  |   | [Layer]  |   | [Voltage]  |   | [Color]  |
| <ul style="list-style-type: none"> <li>STDL</li> <li>STDLF</li> </ul> |   | <ul style="list-style-type: none"> <li>WS-Warning</li> <li>WM-Melody</li> <li>WA-Alarm</li> <li>WV-Customizable sound</li> </ul> |   | <ul style="list-style-type: none"> <li>1-1Layer</li> <li>2-2Layers</li> <li>3-3Layers</li> <li>4-4Layers</li> <li>5-5Layers</li> </ul> |   | <ul style="list-style-type: none"> <li>12-DC12V</li> <li>24-DC24V</li> <li>110-AC110V</li> <li>220-AC220V</li> </ul> |   | <ul style="list-style-type: none"> <li>R-Red</li> <li>A-Amber</li> <li>G-Green</li> <li>B-Blue</li> <li>W-White</li> </ul> |

# S100D series



**Various built-in sound tones of warning sounds, alarms and melodies**



**S100DLR**



**S100DL/ S100DS**



**S100D**

## Signal/ Warning Light and Electric Horn Combinations

### Common Specifications(S100DLR/ S100DL/ S100DS/ S100D)

- Ø100mm signal/warning lights and electric horn combination provides both audible and visual signaling capability in one unit
- Can select the proper signaling effect from a variety of light sources and sound tones
- Materials : Lens-AS, Housing-ABS, Reflector-Heat resistant ABS
- Protection rating : IP54
- Compliant with RoHS directive (S100DLR/ S100DL)

### S100DLR LED Revolving Light & Electric Horn

- Revolving speed : 120-140RPM
- Ambient operating temperature : -20°C to +50°C

| Model number | Voltage | Current | Sound Pattern and Volume   | Certificates | Weight | Color   |
|--------------|---------|---------|--|--------------|--------|---|
| S100DLR      | DC12V   | 0.483A  | <ul style="list-style-type: none"> <li>• WS-5 Warning sounds : 105dB</li> <li>• WM-5 Melodies : 105dB</li> <li>• WA-5 Alarms : 103dB</li> <li>• WV-5 Customizable sounds : 95dB</li> </ul> | -            | 0.89kg | <ul style="list-style-type: none"> <li>• R-Red</li> <li>• A-Amber</li> <li>• G-Green</li> <li>• B-Blue</li> </ul> |
|              | DC24V   | 0.327A  |  |              | 0.89kg |   |
|              | AC110V  | 0.120A  |  |              | 1.27kg |   |
|              | AC220V  | 0.060A  |  |              | 1.27kg |   |

### S100DL LED Steady/Flashing Light & Electric Horn

- Flashing rate : 60-80 flashes/min  
(Built-in switch for selection between steady and flashing mode)
- Ambient operating temperature : -30°C to +50°C
- Certificates : CE Compliant

| Model number | Voltage | Current | Sound Pattern and Volume   | Certificates | Weight | Color   |
|--------------|---------|---------|--|--------------|--------|---|
| S100DL       | DC12V   | 0.411A  | <ul style="list-style-type: none"> <li>• WS-5 Warning sounds : 105dB</li> <li>• WM-5 Melodies : 105dB</li> <li>• WA-5 Alarms : 103dB</li> <li>• WV-5 Customizable sounds : 95dB</li> </ul> | CE           | 0.95kg | <ul style="list-style-type: none"> <li>• R-Red</li> <li>• A-Amber</li> <li>• G-Green</li> <li>• B-Blue</li> </ul> |
|              | DC24V   | 0.315A  |  |              | 0.95kg |   |
|              | AC110V  | 0.114A  |  |              | 1.16kg |   |
|              | AC220V  | 0.057A  |  |              | 1.16kg |   |

### S100DS Xenon Lamp Strobe Light & Electric Horn

- Flashing rate : 60-80 flashes/min
- Ambient operating temperature : -30°C to +50°C

| Model number | Voltage | Current | Sound Pattern and Volume   | Certificates | Weight | Bulb | Color   |
|--------------|---------|---------|--|--------------|--------|------|---|
| S100DS       | DC12V   | 1.331A  | <ul style="list-style-type: none"> <li>• WS-5 Warning sounds : 105dB</li> <li>• WM-5 Melodies : 105dB</li> <li>• WA-5 Alarms : 103dB</li> <li>• WV-5 Customizable sounds : 95dB</li> </ul> | -            | 0.76kg | 48   | <ul style="list-style-type: none"> <li>• R-Red</li> <li>• A-Amber</li> <li>• G-Green</li> <li>• B-Blue</li> </ul> |
|              | DC24V   | 0.899A  |  |              | 0.76kg |      |   |
|              | AC110V  | 0.231A  |  |              | 1.21kg |      |   |
|              | AC220V  | 0.155A  |  |              | 1.21kg |      |   |

### S100D Bulb Revolving Light & Electric Horn

- Revolving Speed : 120-140RPM
- Ambient operating temperature : -20°C to +50°C
- Certificates : CE Compliant

| Model number | Voltage | Current | Bulb   |            |          | Sound Pattern and Volume   | Certificates     | Weight | Color   |
|--------------|---------|---------|--------|------------|----------|--|------------------|--------|---|
|              |         |         | Spec   | Standard   | Parts no |  |                  |        |   |
| S100D        | DC12V   | 1.266A  | 12V10W | T16x35 15S | 9        | <ul style="list-style-type: none"> <li>• WS-5 Warning sounds : 105dB</li> <li>• WM-5 Melodies : 105dB</li> <li>• WA-5 Alarms : 103dB</li> <li>• WV-5 Customizable sounds : 95dB</li> </ul> | CE<br>DC24V only | 0.96kg | <ul style="list-style-type: none"> <li>• R-Red</li> <li>• A-Amber</li> <li>• G-Green</li> <li>• B-Blue</li> </ul> |
|              | DC24V   | 0.766A  | 24V10W | T16x35 15S | 10       |  |                  | 0.96kg |   |
|              | AC110V  | 0.187A  | 12V10W | T16x35 15S | 9        |  |                  | 1.38kg |   |
|              | AC220V  | 0.094A  | 12V10W | T16x35 15S | 9        |  |                  | 1.38kg |   |

※ Please refer to Page 136 for detailed specification of sound tones.

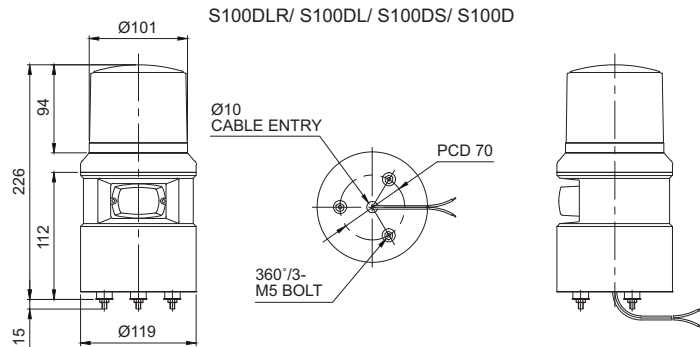
# S100D series

## Signal/ Warning Light and Electric Horn Combinations



### Technical Diagram

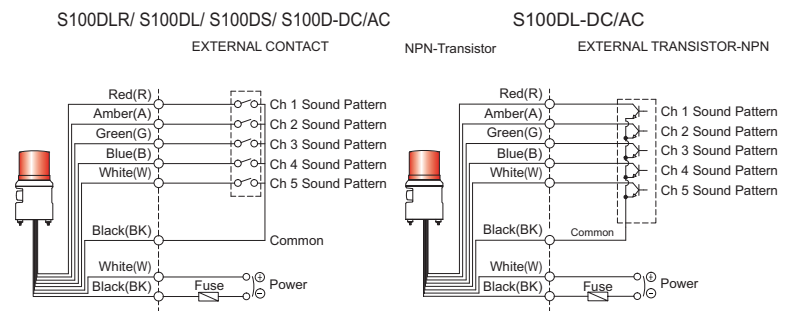
(Units : mm)



- S100D series come with prerecorded sounds.
- For WV(5Customized sounds)type, Input audio message needs to be provide by the customer prior to manufacturing.
- S100DL model wiring can be done with either external transistor wiring.
- In case of wiring by using transistor, NPN transistor is needed and follow the wiring diagram on the right in order to wire properly.



### Wiring Instructions



- External power line standard : UL1015 AWG18(0.75sq)×2C 400mm
- External signal line standard : UL1007 AWG22(0.3sq) 400mm
- DC type : Black output line is negative(-)



Do not apply voltage to each signal line. It may cause damage to the product.  
By default the warning light is turned on when the power is supplied, the voice/ alarm output is powered on by a separate connection. Please wire properly.



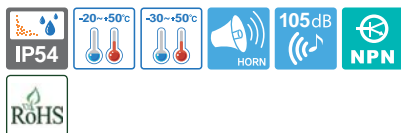
S100D applied to a metallic mold machine.



### Ordering Specification

| S100D  | - | WA   | - | 220  | - | R   |
|--|---|--|---|--|---|---|
| [Model number]   |   | [Sound]  |   | [Voltage]  |   | [Color]   |
| <ul style="list-style-type: none"> <li>• S100DLR</li> <li>• S100DL</li> <li>• S100DS</li> <li>• S100D</li> </ul> |   | <ul style="list-style-type: none"> <li>• WS-Warning</li> <li>• WM-Melody</li> <li>• WA-Alarm</li> <li>• WV-Customizable sound</li> </ul> |   | <ul style="list-style-type: none"> <li>• 12-DC12V</li> <li>• 24-DC24V</li> <li>• 110-AC110V</li> <li>• 220-AC220V</li> </ul> |   | <ul style="list-style-type: none"> <li>• R-Red</li> <li>• A-Amber</li> <li>• G-Green</li> <li>• B-Blue</li> </ul> |

# S125D series



**Various built-in sound tones of Warning sounds, Alarms and Melodies**



**S125DLR**



**S125DL/ S125DS**



**S125D**

## Signal/ Warning Light and Electric Horn Combinations

### Common Specifications(S125DLR/ S125DL/ S125DS/ S125D)

- Ø125mm signal/ warning light and electric horn combinations provides both audible and visual signaling capability in one unit
- Can select the proper signaling from a variety of light source and sound tone
- Materials : Lens-AS, Housing-ABS, Reflector-Heat resistant ABS
- Protection rating : IP54
- Compliant with RoHS directive (S125DLR/ S125DL)

### S125DLR LED Revolving Light & Electric Horn

- Revolving speed : 120-140RPM
- Ambient operating temperature : -20°C to +50°C

| Model number | Voltage | Current | Sound Pattern and Volume   | Certificates | Weight | Color     |
|--------------|---------|---------|--|--------------|--------|-----------|
| S125DLR      | DC12V   | 0.483A  | <ul style="list-style-type: none"> <li>• WS-5 Warning sounds : 105dB</li> <li>• WM-5 Melodies : 105dB</li> <li>• WA-5 Alarms : 103dB</li> <li>• WV-5 Customizable sounds : 95dB</li> </ul> | -            | 0.92kg | • R-Red   |
|              | DC24V   | 0.327A  |  |              | 0.92kg | • A-Amber |
|              | AC110V  | 0.120A  |  |              | 1.29kg | • G-Green |
|              | AC220V  | 0.060A  |  |              | 1.29kg | • B-Blue  |

### S125DL LED Steady/Flashing Light & Electric Horn

- Flashing rate : 60-80 flashes/min  
(Built-in switch for selection between steady and flashing mode)
- Ambient operating temperature : -30°C to +50°C

| Model number | Voltage | Current | Sound Pattern and Volume   | Certificates | Weight | Color     |
|--------------|---------|---------|--|--------------|--------|-----------|
| S125DL       | DC12V   | 0.517A  | <ul style="list-style-type: none"> <li>• WS-5 Warning sounds : 105dB</li> <li>• WM-5 Melodies : 105dB</li> <li>• WA-5 Alarms : 103dB</li> <li>• WV-5 Customizable sounds : 95dB</li> </ul> | -            | 0.76kg | • R-Red   |
|              | DC24V   | 0.435A  |  |              | 0.76kg | • A-Amber |
|              | AC110V  | 0.123A  |  |              | 1.16kg | • G-Green |
|              | AC220V  | 0.062A  |  |              | 1.16kg | • B-Blue  |

### S125DS Xenon Lamp Strobe Light & Electric Horn

- Flashing rate : 60-80 flashes/min
- Ambient operating temperature : -30°C to +50°C

| Model number | Voltage | Current | Sound Pattern and Volume   | Certificates | Weight | Bulb | Color     |
|--------------|---------|---------|--|--------------|--------|------|-----------|
| S125DS       | DC12V   | 1.331A  | <ul style="list-style-type: none"> <li>• WS-5 Warning sounds : 105dB</li> <li>• WM-5 Melodies : 105dB</li> <li>• WA-5 Alarms : 103dB</li> <li>• WV-5 Customizable sounds : 95dB</li> </ul> | -            | 0.78kg | 48   | • R-Red   |
|              | DC24V   | 0.899A  |  |              | 0.78kg |      | • A-Amber |
|              | AC110V  | 0.231A  |  |              | 1.23kg |      | • G-Green |
|              | AC220V  | 0.155A  |  |              | 1.23kg |      | • B-Blue  |

### S125D Bulb Revolving Light & Electric Horn

- Revolving speed : 120-140RPM
- Ambient operating temperature : -20°C to +50°C
- Certificates : CE Compliant

| Model number | Voltage | Current | Bulb   |            |          | Sound Pattern and Volume   | Certificates     | Weight | Color   |
|--------------|---------|---------|--------|------------|----------|--|------------------|--------|---|
|              |         |         | Spec   | Standard   | Parts no |  |                  |        |   |
| S125D        | DC12V   | 1.266A  | 12V10W | T16x35 15S | 9        | <ul style="list-style-type: none"> <li>• WS-5 Warning sounds : 105dB</li> <li>• WM-5 Melodies : 105dB</li> <li>• WA-5 Alarms : 103dB</li> <li>• WV-5 Customizable sounds : 95dB</li> </ul> | CE<br>DC24V only | 1.00kg | <ul style="list-style-type: none"> <li>• R-Red</li> <li>• A-Amber</li> <li>• G-Green</li> <li>• B-Blue</li> </ul> |
|              | DC24V   | 0.766A  | 24V10W | T16x35 15S | 10       |  |                  | 1.00kg |   |
|              | AC110V  | 0.187A  | 12V10W | T16x35 15S | 9        |  |                  | 1.41kg |   |
|              | AC220V  | 0.094A  | 12V10W | T16x35 15S | 9        |  |                  | 1.41kg |   |

\* Please refer to Page 136 for detailed specification of sound tones.

# S125D series

## Signal/ Warning Light and Electric Horn Combinations

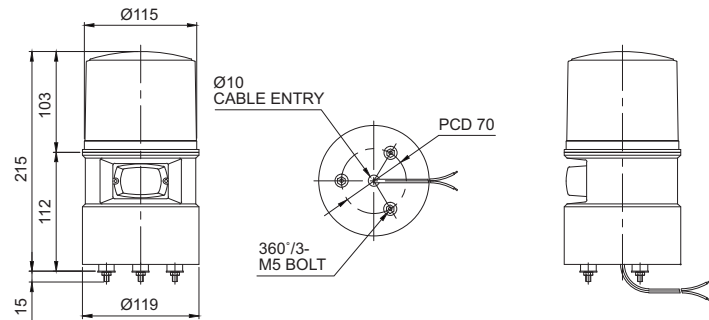


### Technical Diagram

(Units : mm)



S125DLR/ S125DL/ S125DS/ S125D



- S125D series comes with prerecorded sounds.
- For WV(5Customized Sounds)type, Input audio message needs to be provide by the customer prior to manufacturing.
- S125DL model wiring can be done with either external contact or external transistors.
- In case of wiring by using transistor, NPN transistor is needed and follow the wiring diagram on the right in order to wire properly.



### Wiring Instructions

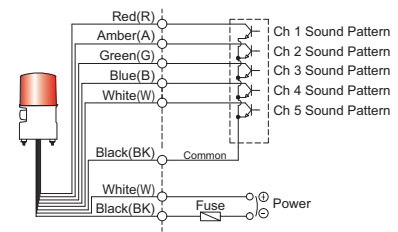
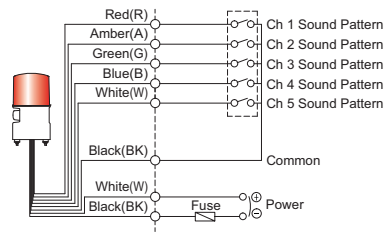
S125DLR/ S125DL/ S125DS/ S125D-DC/AC

EXTERNAL CONTACT

S125DL-DC/AC

NPN-Transistor

EXTERNAL TRANSISTOR-NPN



- External power line standard : UL1015 AWG18(0.75sq)×2C 400mm
- External signal line standard : UL1007 AWG22(03sq) 400mm
- DC type : Black output line is Negative(-)



Do not apply voltage to each signal line. It may cause damage to the product. By default the warning light is turned on when the power is supplied, the voice/ alarm output is powered on by a separate connection. Please wire properly.



S125D is applied to a large press machine control panel.



### Ordering Specification

| S125D  | - | WA   | - | 220  | - | R   |
|--|---|--|---|--|---|---|
| [Model number]   |   | [Sound selection]  |   | [Voltage]  |   | [Color]   |
| <ul style="list-style-type: none"> <li>• S125DLR</li> <li>• S125DL</li> <li>• S125DS</li> <li>• S125D</li> </ul> |   | <ul style="list-style-type: none"> <li>• WS-Warning</li> <li>• WM-Melody</li> <li>• WA-Alarm</li> <li>• WV-Customizable sound</li> </ul> |   | <ul style="list-style-type: none"> <li>• 12-DC12V</li> <li>• 24-DC24V</li> <li>• 110-AC110V</li> <li>• 220-AC220V</li> </ul> |   | <ul style="list-style-type: none"> <li>• R-Red</li> <li>• A-Amber</li> <li>• G-Green</li> <li>• B-Blue</li> </ul> |

# STND series

Versatile Signal/ Warning Lights with Built-in Buzzer

## Warning lights with electric horn supports 30 prerecorded, 30 user defined sound tones(MP3)

- 6 Bit input, 5 sound tones for each group
- Binary input 30 sound tones output
- SD Card(MP3) support

### • Sound Tone Selection & Volume Control

STND series is a combination of warning light and signal horn that allows sound tone selection and volume control through a built-in control panel. In addition, it supports MP3 through an SD Card.

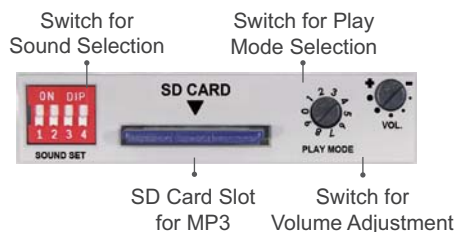


### Common Specifications(STNDL/ STND100/ STND125)

- Combination of warning light and horn allows transmission of both visual and audible signals together
- Appropriate sound tones can be chosen depending on the various working environments among the various type of available sound tones
- Sound tone selector and volume controller in front of the device allows convenient use
- SD Card type allows user defined sound tone
- Built-in 30 sound tones, support binary and bit input modes
- Bit input mode consists of 5 sound types with 6 groups. Choose one of the groups to play 5 sounds from that group.(MP3 is separate from the 6 groups)
- Materials : Lens-AS, Housing-ABS, Reflector-Heat resistant ABS
- Ambient operating temperature
  - 20°C to +50°C : STND100LR, STND100R, STND125LR, STND125R
  - 30°C to +50°C : STNDL, STND100L, STND125L
- Protection rating : IP54

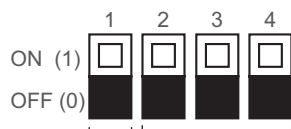
### Multifunctional Type

#### • Features



#### • Sound Setup Switch

You can select between pre-recorded sound mode and SD Card sound (MP3) mode with the SOUND selection switch.



#### Group Choice in Bit Input Mode

- 001 : WS (5 Warning sounds)
- 010 : WP (5 special warning sounds 1<sup>st</sup> group)
- 011 : WM (5 Melodies)
- 100 : WA (5 Alarms)
- 101 : WO (5 special warning sounds 2<sup>nd</sup> group)
- 110 : WN (5 special warning sounds 3<sup>rd</sup> group)

#### Sound Selection

- 0 : Built-in sound
- 1 : SD Card(MP3)

- Built-in sounds(5WS, 5WP, 5WM, 5WA, 5WO and 5WN)
- Support SD Card(MP3)
- Binary Input : 30Ch
- Bit input : 5Ch(6 groups)
- Support MP3 format through SD Card
- Detailed instructions for multi-functional products are shown on page 140

### Built-in sounds 30

Multi-functional product has 30 built-in sound tones

| Sound | Category   | Ch  | Sound Tone               | Sound | Category   | Ch  | Sound Tone        |
|-------|--|-----|--------------------------|-------|--|-----|-------------------|
| WS    | 5 Warning sounds                                 | Ch1 | Fire.A-ANG               | WA    | 5 Alarms   | Ch1 | Beep Intermittent |
|       |  | Ch2 | Emergency WA-U(Yelp)     |       |  | Ch2 | Door Chime        |
|       |  | Ch3 | Ambulance PI-PO(Hi- low) |       |  | Ch3 | Phone Ring        |
|       |  | Ch4 | Machinery Fault          |       |  | Ch4 | PI.PI.PI Short    |
|       |  | Ch5 | Form Alarm               |       |  | Ch5 | Tripping Beat     |
| WP    | 5 special warning sounds (1 <sup>st</sup> group) | Ch1 | Fire.A-ANG               | WO    | 5 special warning sounds (2 <sup>nd</sup> group) | Ch1 | Phone Ring        |
|       |  | Ch2 | Abandon Alarm            |       |  | Ch2 | Police            |
|       |  | Ch3 | Machinery Fault          |       |  | Ch3 | Emergency         |
|       |  | Ch4 | High Expansion           |       |  | Ch4 | Phone Ring 2      |
|       |  | Ch5 | 7 Short PI. / 1 Long     |       |  | Ch5 | 911 siren         |
| WM    | 5 Melodies                                       | Ch1 | Sweet Home               | WN    | 5 special warning sounds (3 <sup>rd</sup> group) | Ch1 | Do-ong Do-ong     |
|       |  | Ch2 | For Elise                |       |  | Ch2 | Di- Di-           |
|       |  | Ch3 | Cuckoo's Waltz           |       |  | Ch3 | PI.PI.PI long     |
|       |  | Ch4 | Piano Sonata             |       |  | Ch4 | Li long Li long   |
|       |  | Ch5 | Turkish March            |       |  | Ch5 | Siren             |

### User-defined sound (MP3)

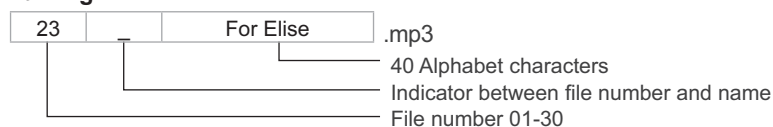
#### User-defined sound(MP3) type



Customer can create a playlist and grouping conveniently through PC. Product supports up to 32Gbyte. SD Card is an optional item.

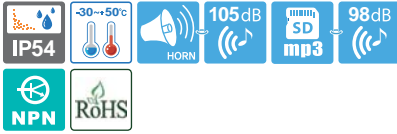
\*SD Card needs to be purchased.

#### MP3 file naming



# STND series

## Multifunctional Signal/ Warning Lights with Built-in Buzzer



STND series

### STNDL LED Steady/Flashing Lights & Electric Horn

- Lens colors are interchangeable
- Certificates : CE Compliant
- Compliant with RoHS directive

| Model number                                      | layer | Voltage | Current | Sound Pattern and Volume  | Certificates  | Weight                 | Color  |
|---|-------|---------|---------|---|---------------|------------------------|--|
| STNDL<br>Steady/<br>STNDLF<br>Steady/<br>Flashing | 1     | DC12V   | 0.610A  | <ul style="list-style-type: none"> <li>• WS-Warning sound</li> <li>• WP-Special warning sound 1<sup>st</sup> group</li> <li>• WM-Melody</li> <li>• WA-Alarm</li> <li>• WO-Special warning sound 2<sup>nd</sup> group</li> <li>• WN-Special warning sound 3<sup>rd</sup> group</li> <li>• SD Card-MP3<br/>Volume : 105dB</li> <li>• Bit input : 5Ch</li> <li>• Binary Input : 30Ch</li> <li>• Warning sound : 105dB</li> <li>• MP3 : 98dB</li> </ul> | CE<br>DC Only | DC-1.19kg<br>AC-1.58kg | • R-Red  |
|   |       | DC24V   | 0.330A  |   |               |                        |  |
|   |       | AC110V  | 0.154A  |   |               |                        |  |
|   |       | AC220V  | 0.087A  |   |               |                        |  |
|   | 2     | DC12V   | 0.770A  |   |               | DC-1.43kg<br>AC-1.82kg | • R-Red<br>• G-Green                                       |
|   |       | DC24V   | 0.410A  |   |               |                        |  |
|   |       | AC110V  | 0.162A  |   |               |                        |  |
|   |       | AC220V  | 0.092A  |   |               |                        |  |
|   | 3     | DC12V   | 0.930A  |   |               | DC-1.67kg<br>AC-2.06kg | • R-Red<br>• A-Amber<br>• G-Green                          |
|   |       | DC24V   | 0.490A  |   |               |                        |  |
|   |       | AC110V  | 0.171A  |   |               |                        |  |
|   |       | AC220V  | 0.096A  |   |               |                        |  |
|   | 4     | DC12V   | 1.090A  |   |               | DC-1.91kg<br>AC-2.30kg | • R-Red<br>• A-Amber<br>• G-Green<br>• B-Blue              |
|   |       | DC24V   | 0.570A  |   |               |                        |  |
|   |       | AC110V  | 0.182A  |   |               |                        |  |
|   |       | AC220V  | 0.102A  |   |               |                        |  |
|   | 5     | DC12V   | 1.250A  |   |               | DC-2.15kg<br>AC-2.54kg | • R-Red<br>• A-Amber<br>• G-Green<br>• B-Blue<br>• W-White |
|   |       | DC24V   | 0.650A  |   |               |                        |  |
|   |       | AC110V  | 1.078A  |   |               |                        |  |
|   |       | AC220V  | 0.520A  |   |               |                        |  |



STND series has a front control panel for convenient sound signal control.

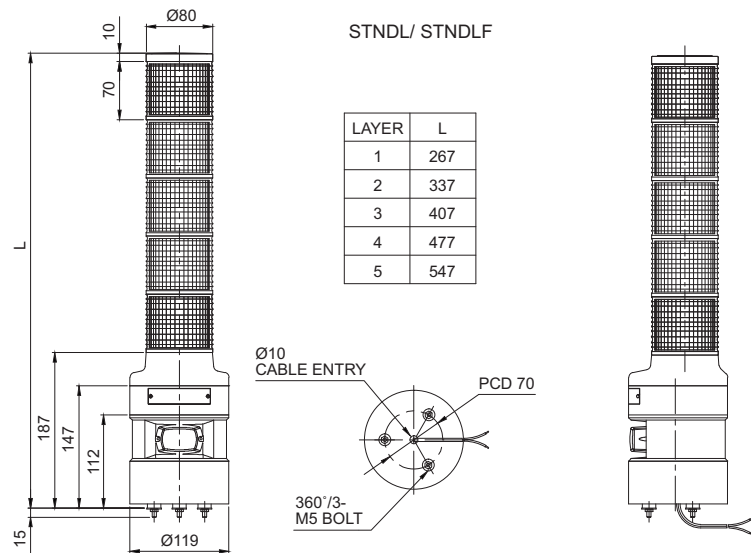
### Wiring Instructions

- External power line standard, UL1015 AWG18(0.75sq)×2C 400mm
- Signal line standard, UL1007 AWG22(0.3sq) 400mm
- Product can be wired regardless of polarity

※ Please refer to page 103 for detailed wiring information.

### Technical Diagram

(Units : mm)



### Ordering Specification

| STNDL               | - | 3  | - | 24   | - | RAG  |
|---------------------|---|--|---|--|---|--|
| [Model number]      |   | [Layer]  |   | [Voltage]  |   | [Color]  |
| • STNDL<br>• STNDLF |   | • 1-1Layer<br>• 2-2Layers<br>• 3-3Layers<br>• 4-4Layers<br>• 5-5Layers |   | • 12-DC12V<br>• 24-DC24V<br>• 110-AC110V<br>• 220-AC220V |   | • R-Red<br>• A-Amber<br>• G-Green<br>• B-Blue<br>• W-White |



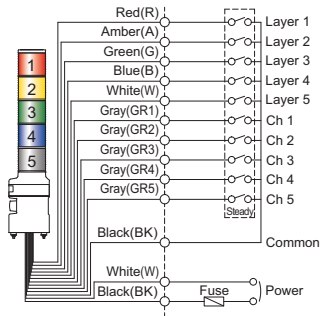


### Wiring Instructions

#### External contact

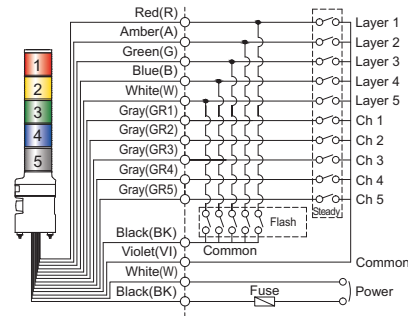
STNDL-DC/AC (Steady)

EXTERNAL CONTACT



STNDLF-DC/AC (Steady/Flashing)

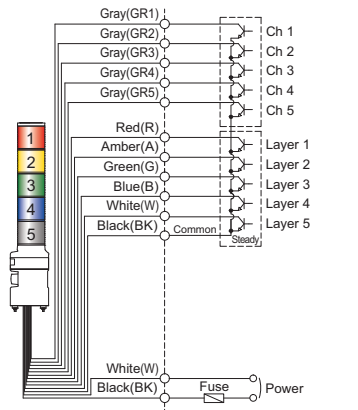
EXTERNAL CONTACT



#### Transistor

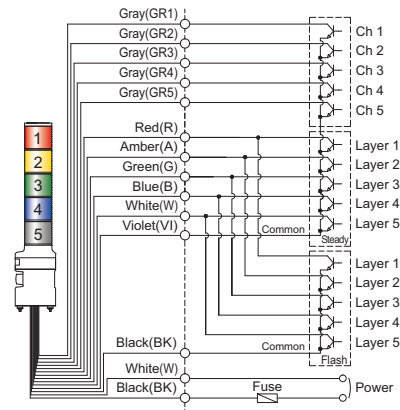
STNDL-DC/AC (Steady)

EXTERNAL TRANSISTOR-NPN



STNDLF-DC/AC (Steady/Flashing)

EXTERNAL TRANSISTOR-NPN



- Product can be wired regardless of polarity.
- In case of Bit input, 5 sound tones can be played. For Binary input, 30 sound tones can be played.
- ※ Please refer to page 140 for detailed channel input instruction. (Wiring Instructions substitutes for channel selection switch)

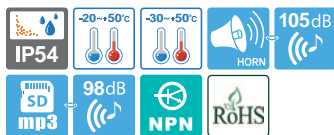


**Do not apply power into each signal line. Product may be damaged**

- NPN transistor(non-external contact control) can be enabled by using the flashing common line for the light source.
- Each unit's light source and signal sound do not operate identically even though multiple units are working at the same time.
- Do not short-circuit between steady common and flash common. Signal light won't work properly.

# STND series

## Multifunctional Signal/ Warning Lights with Built-in Buzzer



- 6 Bit input, 5 sound tones for each group
- Binary input 30 sound tones output
- SD Card(MP3) support



STND100LR



STND100L



STND100R

### STND100LR LED Revolving Signal Light & Electric Horn Combination

- Excellent omni-directional visibility with LED light collecting system and special multifaceted reflector
- Revolving speed : 120-140RPM
- Compliant with RoHS directive

| Model number | Voltage | Current | Sound Pattern and Volume  | Certificates | Weight | Color     |
|--------------|---------|---------|---|--------------|--------|-----------|
| STND100LR    | DC12V   | 0.880A  | <ul style="list-style-type: none"> <li>• Bit input : 5Ch</li> <li>• Binary Input : 30Ch</li> <li>• Warning sound : 105dB</li> <li>• MP3 : 98dB</li> </ul> | -            | 1.40kg | • R-Red   |
|              | DC24V   | 0.520A  |   |              | 1.40kg | • A-Amber |
|              | AC110V  | 0.180A  |   |              | 1.62kg | • G-Green |
|              | AC220V  | 0.110A  |   |              | 1.62kg | • B-Blue  |

### STND100L LED Steady/Flashing Signal Light & Electric Horn Combination

- Excellent visibility that employs a special scattering lens
- Flashing rate : 60-80 flashes/min(Built-in switch for selection between steady and flashing mode)
- Certificates : CE Compliant, UL Listed
- Compliant with RoHS directive

| Model number | Voltage | Current | Sound Pattern and Volume  | Certificates              | Weight | Color     |
|--------------|---------|---------|---|---------------------------|--------|-----------|
| STND100L     | DC12V   | 0.750A  | <ul style="list-style-type: none"> <li>• Bit input : 5Ch</li> <li>• Binary Input : 30Ch</li> <li>• Warning sound : 105dB</li> <li>• MP3 : 98dB</li> </ul> | <br>DC Only<br>DC24V Only | 1.37kg | • R-Red   |
|              | DC24V   | 0.450A  |   |                           | 1.37kg | • A-Amber |
|              | AC110V  | 0.158A  |   |                           | 1.78kg | • G-Green |
|              | AC220V  | 0.090A  |   |                           | 1.78kg | • B-Blue  |

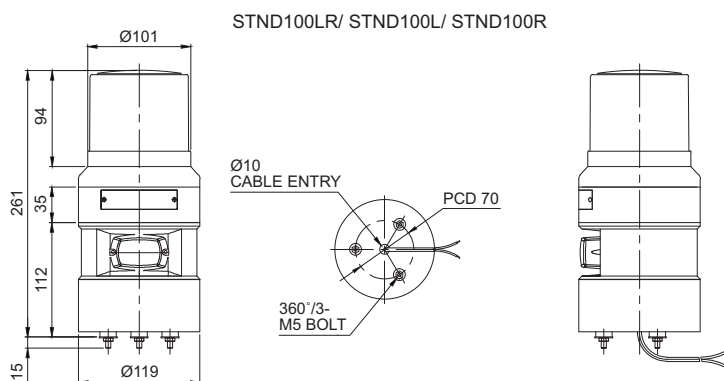
### STND100R Bulb Revolving Signal Light & Electric Horn Combination

- Revolving speed : 120-140RPM

| Model number | Voltage | Current | Bulb   |          |          | Sound Pattern and Volume  | Certificates | Weight | Color     |
|--------------|---------|---------|--------|----------|----------|---|--------------|--------|-----------|
|              |         |         | Spec   | Standard | Parts no |   |              |        |           |
| STND100R     | DC12V   | 1.420A  | 12V10W | T16x35   | 15S      | <ul style="list-style-type: none"> <li>• Bit Input : 5Ch</li> <li>• Binary Input : 30Ch</li> <li>• Warning sound:105dB</li> <li>• MP3:98dB</li> </ul> | -            | 1.57kg | • R-Red   |
|              | DC24V   | 0.820A  | 24V10W | T16x35   | 15S      |   |              | 1.57kg | • A-Amber |
|              | AC110V  | 0.230A  | 12V10W | T16x35   | 15S      |   |              | 1.82kg | • G-Green |
|              | AC220V  | 0.130A  | 12V10W | T16x35   | 15S      |   |              | 1.82kg | • B-Blue  |

### Technical Diagram

(Units : mm)

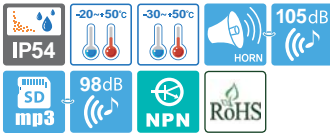


### Ordering Specification

|   |   |  |   |   |
|---|---|--|---|---|
| <b>STND100LR</b>  | - | <b>24</b>  | - | <b>R</b>  |
| [Model number]  |   | [Voltage]  |   | [Color]   |
| <ul style="list-style-type: none"> <li>• STND100LR</li> <li>• STND100L</li> <li>• STND100R</li> </ul> |   | <ul style="list-style-type: none"> <li>• 12-DC12V</li> <li>• 24-DC24V</li> <li>• 110-AC110V</li> <li>• 220-AC220V</li> </ul> |   | <ul style="list-style-type: none"> <li>• R-Red</li> <li>• A-Amber</li> <li>• G-Green</li> <li>• B-Blue</li> </ul> |

# STND series

## Multifunctional Signal/ Warning Lights with Built-in Buzzer



- 6 Bit input, 5 sound tones for each group
- Binary input 30 sound tones output
- SD Card(MP3) support



### STND125LR LED Revolving Signal Light & Electric Horn Combination

- Excellent omni-directional visibility with LED light collecting system and special multifaceted reflector
- Revolving speed : 120-140RPM
- Compliant with RoHS directive

| Model number | Voltage | Current | Sound Pattern and Volume  | Certificates | Weight | Color     |
|--------------|---------|---------|---|--------------|--------|-----------|
| STND125LR    | DC12V   | 0.880A  | <ul style="list-style-type: none"> <li>• Bit input : 5Ch</li> <li>• Binary Input : 30Ch</li> <li>• Warning sound : 105dB</li> <li>• MP3 : 98dB</li> </ul> | -            | 1.35kg | • R-Red   |
|              | DC24V   | 0.520A  |   |              | 1.35kg | • A-Amber |
|              | AC110V  | 0.180A  |   |              | 1.73kg | • G-Green |
|              | AC220V  | 0.110A  |   |              | 1.73kg | • B-Blue  |



### STND125L LED Steady/Flashing Signal Light & Electric Horn Combination

- Excellent visibility that employs a special scattering lens
- Flashing rate : 60-80 flashes/min(Built-in switch for selection between steady and flashing mode)
- Certificates : CE Compliant
- Compliant with RoHS directive

| Model number | Voltage | Current | Sound Pattern and Volume  | Certificates | Weight | Color     |
|--------------|---------|---------|---|--------------|--------|-----------|
| STND125L     | DC12V   | 0.750A  | <ul style="list-style-type: none"> <li>• Bit input : 5Ch</li> <li>• Binary Input : 30Ch</li> <li>• Warning sound : 105dB</li> <li>• MP3 : 98dB</li> </ul> | DC Only      | 1.32kg | • R-Red   |
|              | DC24V   | 0.450A  |   |              | 1.32kg | • A-Amber |
|              | AC110V  | 0.158A  |   |              | 1.65kg | • G-Green |
|              | AC220V  | 0.090A  |   |              | 1.65kg | • B-Blue  |



### STND125R Bulb Revolving Signal Light & Electric Horn Combination

- Revolving speed : 120-140RPM

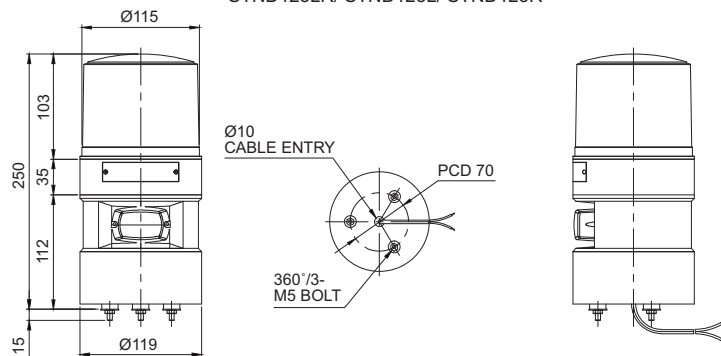
| Model number | Voltage | Current | Bulb   |          |          | Sound Pattern and Volume  | Certificates | Weight | Color     |
|--------------|---------|---------|--------|----------|----------|---|--------------|--------|-----------|
|              |         |         | Spec   | Standard | Parts no |   |              |        |           |
| STND125R     | DC12V   | 1.420A  | 12V10W | T16x35   | 15S      | <ul style="list-style-type: none"> <li>• Bit Input : 5Ch</li> <li>• Binary Input : 30Ch</li> <li>• Warning sound:105dB</li> <li>• MP3:98dB</li> </ul> | -            | 1.27kg | • R-Red   |
|              | DC24V   | 0.820A  | 24V10W | T16x35   | 15S      |   |              | 1.27kg | • A-Amber |
|              | AC110V  | 0.230A  | 12V10W | T16x35   | 15S      |   |              | 1.62kg | • G-Green |
|              | AC220V  | 0.130A  | 12V10W | T16x35   | 15S      |   |              | 1.62kg | • B-Blue  |



### Technical Diagram

(Units : mm)

STND125LR/ STND125L/ STND125R



### Ordering Specification

| STND125LR   | - | 24   | - | R   |
|---|---|--|---|---|
| [Model number]  |   | [Voltage]  |   | [Color]   |
| <ul style="list-style-type: none"> <li>• STND125LR</li> <li>• STND125L</li> <li>• STND125R</li> </ul> |   | <ul style="list-style-type: none"> <li>• 12-DC12V</li> <li>• 24-DC24V</li> <li>• 110-AC110V</li> <li>• 220-AC220V</li> </ul> |   | <ul style="list-style-type: none"> <li>• R-Red</li> <li>• A-Amber</li> <li>• G-Green</li> <li>• B-Blue</li> </ul> |



STND125LR



STND125L



STND125R