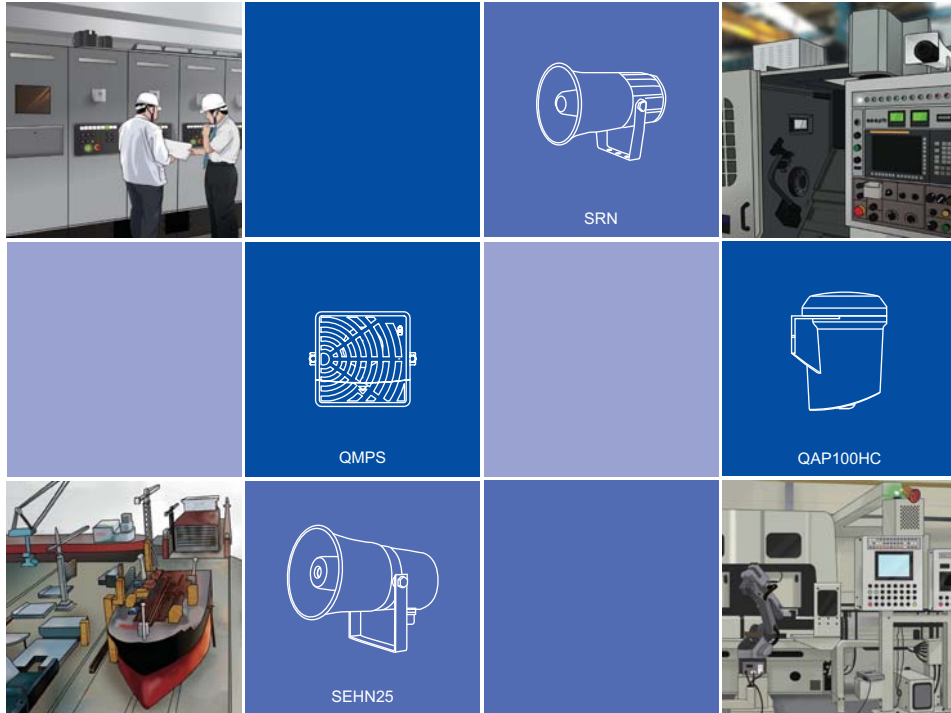


CATALOGUE

Electric Horns/ Speakers






































INNOVATION IN ALARM & SIGNAL

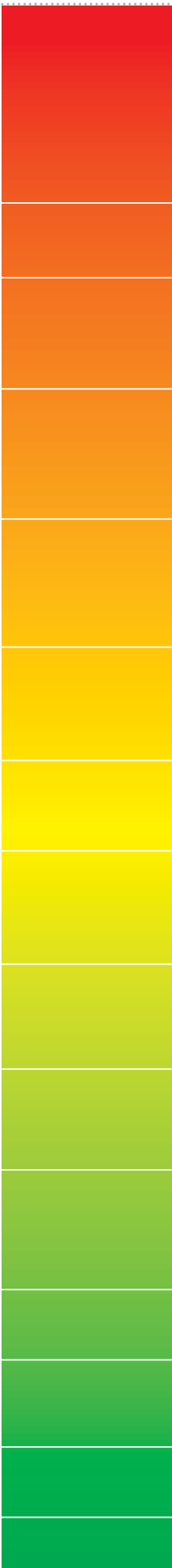


Quick reference of volume	108
Technical information	110
References	111
Product specifications	113

Product Volume Quick Reference Guide

Qlight provides a wide range of audible products between 85dB – 130dB. Please take a look at the Product Volume Quick Reference Guide for the sound level of each of our audible products.

					130dB	
		SANA700	SANA400	SANA200		
					123dB	
		QWH50	SMP50	SM400		
					120dB	
SEWN50E	SEWN50-2T	SEWN50L	SEHN50	SM200		
					118dB	
		SHDN30	SEWN30E	SPNA		
						115dB
QAP125HC	SMP35	QWH35	SEN25	SEHN25	SM40	
						110dB
					SM30	
					108dB	
			SRN	SEN15		
					105dB	
	QAP125BZC	QAP100BZC	QAP80BZC	SN		
					100dB	
	QAP100HC	QAP80HC	S60ADH	QMPS		
					95dB	
SBE130	SBE150	SAB130	SAB200	SN-1		
					90dB	
					85dB	
				SPK		



Air plane - 140dB

130dB Air Horn(SANA series)

123dB Motor Siren(SM400)
Multifunctional Electric Horn(SMP50)
Special Warning Electric Signal Horn(QWH50)

120dB Motor Siren(SM200)
Heavy-Duty Electric Horn
(SEHN50, SEWN50L, SEWN50-2T, SEWN50E)



Rock Concert - 120dB

118dB Explosion proof Electric Horn(SPNA)
Heavy-Duty Electric Horn(SEWN30E)
Full Duplex Heavy-Duty Electric Horn(SHDN30)

115dB Motor Siren(SM40), Heavy-Duty Electric Horn(SEHN25)
Electric Signal Horn(SEN25)
Multifunctional Electric Horn(SMP35, QAP125HC)
Special Warning Electric Horn(QWH35)



110dB Motor Siren(SM30)

Vehicle Horn - 100-110dB

108dB Electric Horn(SEN15)
Electric Horn(SRN)

105dB Electric Signal Horn(SN)
Wall Mount High Sound Buzzer Horn
(QAP80BZC, QAP100BZC, QAP125BZC)

100dB Multifunctional Panel Type Speaker(QMPS)
Wall Mount High Sound Buzzer Horn(S60ADH)
Multifunctional Electric Horn(QAP80HC, QAP100HC)



Plant / Train - 100dB

95dB Electric Horn(SN-1)
Lamp Attached Alarm Bell(SAB130, SAB200)
Explosion proof Alarm Bell(SBE130, SBE150)

90dB

85dB Panel Type Speaker(SPK)



Vacuum Cleaner - 80dB

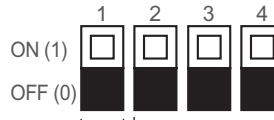
Technical Information for Multifunctional Electric Horns/ Speakers



What is Multifunctional Electric Horn/ Speaker?

1. Multifunctional electric horn/ speaker is a versatile horn which is able to play built-in 30 sound tones as well as MP3 file from SDCard.
2. User can designate the sound tone in the SDCard through a PC.

1 Sound setting switch



Bit input mode selection from 6 groups

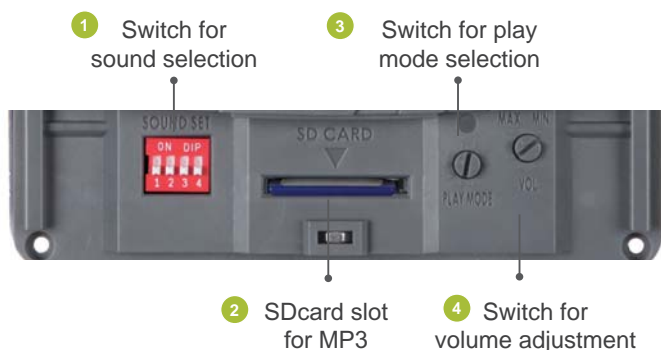
- 001: WS(5 Warning sounds)
- 010: WP(5 Special warning sounds 1st group)
- 011: WM(5 Melodies)
- 100: WA(5 Alarms)
- 101: WO(5 Special warning sounds 2nd group)
- 110: WN(5 Special warning sounds 3rd group)

Selection between pre-recorded sound mode and SDCard sound mode

- 0: Pre-recorded sound mode
- 1: SDCard sound mode

- Switch No1. allows user to choose the option between Pre-Recorded sound and sound from the SDCard.
- Switch No.2 – 4 allows user to choose 1 group of 6 in the case of bit input mode.

■ Features



2 SDCards

- The SDCard is a compact flash memory card for storing MP3 files.
- After saving the MP3 files in the SDCard with the specified format, insert the card into the SDCard slot and switch the sound setting switch to ON(1) so the sounds can be played from the SDCard.

3 PLAY MODE setting switch

- Play mode setting switch allows the user to choose the proper channel input method and playback mode. Please refer to the table below for a description of each setting switch features.
- Switch No.0 and No.9. are not used.

1	Bit Input Mode	5 sounds can be played from the selected group. (can choose 1 group among 6 groups) Play message one time and quit.(In case of Consecutive signal or pulse signal)
2	Binary Input Mode	Up to 31 sounds available for each model. Plays sound only once.(consecutive signal only)
3	Bit Input Hold Playback Mode	5 sounds can be played from the selected group. (can choose 1 group among 6 groups) The sound is repeated if the input signal is maintained.(Consecutive signal only) Sound will be suspended the STOP signal, otherwise the message is played repeatedly.
4	Binary Input Hold Playback Mode	Up to 31 sounds available for each model The sound is repeated if the input signal is maintained.(consecutive signal only) Sound will be suspended the STOP signal, otherwise the message is played repeatedly.
5	Bit Input Sound Reduction Mode	5 sounds can be played from the selected group. (can choose 1 group among 6 groups) Volume reduction signal line is able to decrease the volume by as much as 15dB.(can reduce input volume as well)
6	Binary Input Sound Reduction Mode	Up to 31 sounds available for each model Volume reduction signal line is able to decrease the volume by as much as 15dB.(can reduce input volume as well)
7	Bit Input Sequence Memory Playback Mode	5 sounds can be played from the selected group. (Can choose 1 group among 6 groups) Playback around 3 seconds for each sound in accordance with the sequence of input. Final input channel is fully played.(Bit input Mode ONLY)
8	Test Mode	In test mode, Ch1 of group is automatically played back repeatedly. Change to other modes in order to quit the test mode.

4 VOLUME

- Volume is adjustable with the sound dial included.

Reference for Electric Horn/ Speaker/ Motor Siren/ Buzzer Horn/ Bell



Model number(series)	SPK	QMPS	S60ADH	QAP80H	QAP80BZ	QAP100H	QAP100BZ
Voltage	DC12V, DC24V AC110V, AC220V	DC12V-24V AC110V-220V	DC12V, DC24V AC110V, AC220V	DC12V-DC24V	DC12V, DC24V	DC12V-24V AC110V-220V	DC12V, DC24V AC110V-220V
Dimension (mm)	Diameter	80×80	120×120	Ø75	Ø83	Ø83	Ø97
	Height	-	-	158	129	129	137
	Depth	75	69	86	93	93	109
Materials	ABS	ABS	ABS	ABS	ABS	ABS	ABS
Sound & Volume	1 Tone Buzzer		Max 100dB at 1m		Max 105dB at 1m		Max 105dB at 1m
	5 Signal Sounds	Max 85dB at 1m					
	Voice						
	30 Signal Sounds		Max 98dB at 1m		Max 100dB at 1m		Max 100dB at 1m
	31 Signal Sounds						
MP3		Max 95dB at 1m				Max 95dB at 1m	
Other Sound							
Mounting structure	Panel mount	Panel mount	Wall mount	Wall mount	Wall mount	Wall mount	Wall mount
Caple entry	-	-	-	Ø10	Ø10	Ø10	Ø10
Protection rating	IP23	IP54	IP54	IP65	IP65	IP65	IP65
Certificate	CE	CE, UL	CE	-	-	-	-
Customization	-	-	Strong buzzer 105dB	-	-	-	-
Transistor	NPN type	NPN type		NPN type	-	NPN type	-
Page	P113	P114-115	P116	P118	P118	P119	P119



Model number(series)	QAP125H	QAP125BZ	SRN	SEN15	SEN25	SMP35	SMP50
Voltage	DC12V-24V AC110V-220V	DC12V, DC24V AC110V-220V	DC12V, DC24V AC110V, AC220V	DC12V, DC24V AC110V, AC220V	DC12V, DC24V AC110V, AC220V	DC12V-24V AC110V-220V	DC12V, DC24V AC110V-220V
Dimension (mm)	Diameter	Ø116	Ø116	Ø125	130	130	145×177
	Height	149	149	-	-	-	-
	Depth	132	132	185(Length)	200(Length)	200(Length)	216(Length)
Materials	ABS	ABS	ABS	ABS	ABS	ABS	ABS
Sound & Volume	1 Tone Buzzer		Max 105dB at 1m				
	5 Signal Sounds			Max 108dB at 1m	Max 108dB at 1m	Max 115dB at 1m	
	Voice			Max 98dB at 1m	Max 98dB at 1m	Max 108dB at 1m	
	30 Signal Sounds	Max 115dB at 1m					Max 115dB at 1m
	31 Signal Sounds						Max 123dB at 1m
MP3	Max 100dB at 1m					Max 113dB at 1m	
Other Sound						Max 118dB at 1m	
Mounting structure	Wall mount	Wall mount	Self stand	Self stand	Self stand	Self stand	Self stand
Caple entry	Ø10	Ø10	Ø10	Ø10	Ø10	Ø21	Ø21
Protection rating	IP65	IP65	IP55	IP55	IP55	IP65	IP65
Certificate	-	-	CE	CE	CE	-	-
Customization	-	-	External sound pattern signal line	External sound pattern signal line	External sound pattern signal line	External sound pattern signal line	External sound pattern signal line
Transistor	NPN type	-	NPN type	NPN type	NPN type	NPN type	NPN type
Page	P120	P120	P121	P121	P121	P123	P123

Reference for Electric Horn/ Speaker/ Motor Siren/ Buzzer Horn/ Bell



Model number(series)	SN	SEHN25	SEHN50	SN-1	SM30	SM40
Voltage	DC12V, DC24V AC110V, AC220V	DC12V, DC24V AC110V, AC220V	DC12V, DC24V AC110V, AC220V	DC12V, DC24V	DC12V, DC24V AC110V, AC220V	DC12V, DC24V AC110V, AC220V
Dimension (mm)	Diameter	Ø119(Horn)	Ø158(Horn)	Ø167(Horn)	Ø135(Horn)	Ø128
	Height					
	Depth	167(Length)	238(Length)	242(Length)	140(Length)	82(Length)
Materials	Housing-Steel	Housing-Steel	Housing-Steel	Housing-Steel	Housing-Steel	Housing-ABS
Sound & Volume	1 Tone Buzzer					
	5 Signal Sounds	Max 105dB at 1m	Max 115dB at 1m	Max 120dB at 1m	-	-
	Voice	Max 95dB at 1m	Max 108dB at 1m	Max 115dB at 1m	-	-
	30 Signal Sounds					
	31 Signal Sounds					
MP3						
Other Sound	-	-	-	Max 100dB at 1m	Max 110dB at 1m	Max 116dB at 1m
Mounting structure	Self stand	Self stand	Self stand	Self stand	Self stand	Self stand
Caple entry	Ø10	Ø21	Ø21	Ø10	Ø22	Ø22
Protection rating	IP55	IP55	IP55	IP55	IP44	IP44
Certificate	KIMM	KIMM	KIMM	-	-	-
Customization	External sound pattern signal line	External sound pattern signal line	External sound pattern signal line	-	-	-
Transistor	NPN type	NPN type	NPN type	-	-	-
Page	P127	P127	P128	P124	P129	P129



Model number(series)	SM200	SM400	SAB130	SAB200	QWH35	QWH50	
Voltage	DC24V AC110V, AC220V	DC24V AC110V, AC220V	DC24V AC110V, AC220V	DC24V AC110V, AC220V	DC12V-24V AC110V-220V	DC12V, DC24V AC110V-220V	
Dimension (mm)	Diameter	Ø143	Ø165	Ø130(Bell)	Ø200(Bell)	136×179	168×222
	Height	-	-	238	269	-	-
	Depth	231(Length)	284(Length)	107	107	126	163
Materials	Housing-Steel	Housing-Steel	Bell-Steel Housing-ABS	Bell-Steel Housing-ABS	Horn-PC Housing-PC+ABS	Horn-PC HousingPC+-ABS	
Sound & Volume	1 Tone Buzzer						
	5 Signal Sounds						
	Voice						
	30 Signal Sounds						
	31 Signal Sounds						
MP3							
Other Sound	Max 120dB at 1m	Max 123dB at 1m	Max 95dB at 1m	Max 95dB at 1m	Max 115dB at 1m Max 113dB at 1m	Max 123dB at 1m Max 118dB at 1m	
Mounting structure	Direct mount	Direct mount	Wall mount	Wall mount	Wall mount	Wall mount	
Caple entry	Ø9	Ø22	Ø26	Ø26	Ø21	Ø21	
Protection rating	IP44	IP44	IP56	IP56	IP66	IP66	
Certificate	CE				CE	CE	
Customization	-	-	2 way cable entries	2 way cable entries	-	-	
Transistor	-	-	-	-	NPN type	NPN type	
Page	P130	P130	P131	P131	P126	P126	

SPK

Panel Mounted Speaker



SPK

SPK Max 85dB, Panel Mounted Speaker

- Panel mounted speaker that plays 8 clear and periodic sound tones
- General compatibility by adopting general equipment (62×62mm) mount holes
- Allowing volume control without dismantling the device
- Various sound patterns such as warning sound, melodies, and alarms can be chosen depending on the message use case
- Wiring terminal on the back side of the product
- Materials : ABS
- Sound volume : Max 85dB at 1m
- Ambient operating temperature : -25°C to +50°C
- Protection rating : IP23
- Certificates : CE Compliant

Model number	Pre-recorded Sound			Voltage/ Current	Certificate	Weight	
	Sound Type	Ch	Sound Pattern				dB
SPK	WS-5 Warnings	1	Fire.A-ANG	85dB	DC12V / 0.288A DC24V / 0.155A AC110V / 0.036A AC220V / 0.018A	CE DC24V only	DC-0.19kg AC-0.21kg
		2	Emergency WA-U(Yelp)	85dB			
		3	Ambulance PI-PO(Hi-low)	85dB			
		4	Machinery Fault	85dB			
		5	High Expansion	83dB			
	WM-5 Melodies	1	Sweet Home	85dB			
		2	For Elise	85dB			
		3	Cuckoo's Waltz	85dB			
		4	Piano Sonata	85dB			
		5	Turkish March	85dB			
	WA-5 Alarms	1	Beep Intermittent	83dB			
		2	Door Chime	83dB			
		3	Phone Ring	85dB			
		4	Pl.Pl.Pl Short	85dB			
		5	Tripping Beat	85dB			

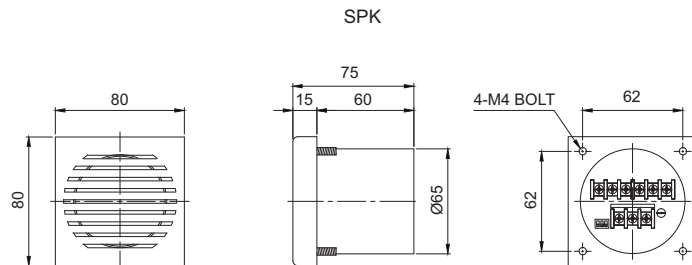


Terminal box for power and sound (back side)



Technical Diagram

(Units : mm)

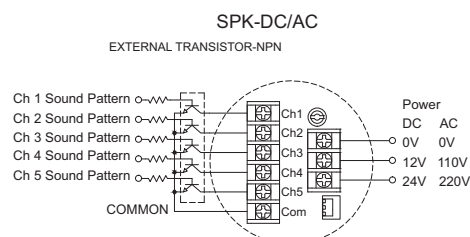
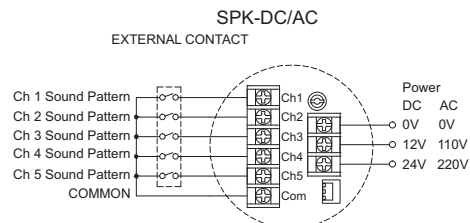


Ordering Specification

SPK	-	WM	-	220
[Model number]		[Sound]		[Voltage]
• SPK		• WS-Warning • WM-Melody • WA-Alarm		• 12-DC12V • 24-DC24V • 110-AC110V • 220-AC220V



Wiring Instructions



Both built-in sounds and option for external sound input via SDcard (MP3) have 30 built-in sounds
Able to avoid signal confusion with a variety of tone options

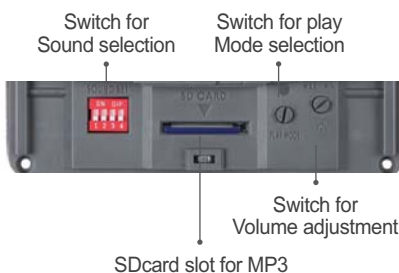
- Bit Input offers 5 channels with 6 sound outputs
- Binary Input offers 30 sound outputs
- SDcard (MP3) combination



QMPS QMPS Panel Embedded Multifunctional Speaker (SDcard/ MP3 Type)

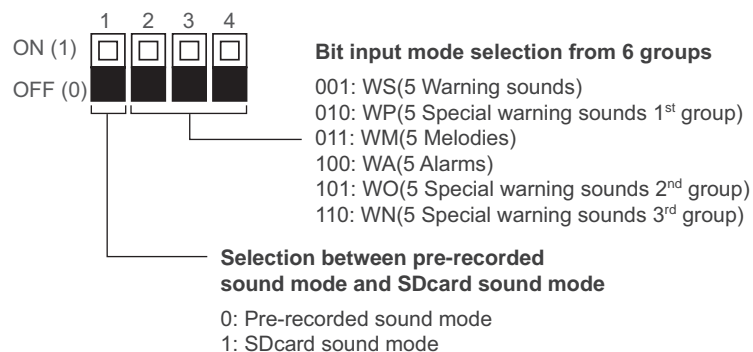
- Can prevent cross talk of different voice environments by selecting an audio signal fit for the specific environment and condition
- Offers both Binary and Bit input mode options with 30 pre-recorded sounds
- Binary input mode has built-in 30 messages that can be played with switch for sound selection
- Bit input mode is organized into 6 groups of 5 sound tones for a total of 30 sound tone options. Playback can be selected from one of the 5 tones in each group (MP3 file with bit input mode)
- Volume adjustment and sound selection switches located inside the unit
- SDcard type can play MP3 voice messages, user can select and change the sound message after record it
- Sound volume : Max 98dB at 1m
- Materials : Housing-ABS, Cover-ABS
- Ambient operating temperature : -25°C to +50°C
- Protection rating : IP54
- Certificates : CE Compliant, UL Listed
- Compliant with RoHS directive

• Features



Sound Selection Instruction for SDcard Type

You can select between pre-recorded sound mode and SDcard sound (MP3) mode with the SOUND selection switch



SDcard(MP3) Type

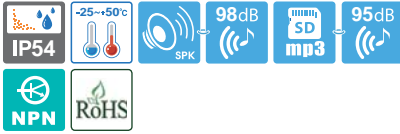


You can easily rearrange the sound playback and group arrangement with PC. Capacity is 32Gbyte.
 ※ SDcard sold separately.

- 30 pre-recorded sounds offered (5 warning sounds, 5 special warning sounds 1st group, 5 melodies, 5 alarms, 5 special warning sounds 2nd group, 5 special warning sounds 3rd group)
- External MP3 sound support (SDcard)
- Binary input : 30 channels
- Bit input : 5 channels (6 sound groups)
- A multi-functional product that can use an SDcard for MP3 playback
- Details on how to setup the multi-functional speakerphone are on page 140

QMPS

Panel Mounted Multifunctional Speaker



QMPS



Terminal box for wiring both power and sound pattern(Rear)

QMPS Max. 98dB, Panel Mounted Multifunctional Speaker

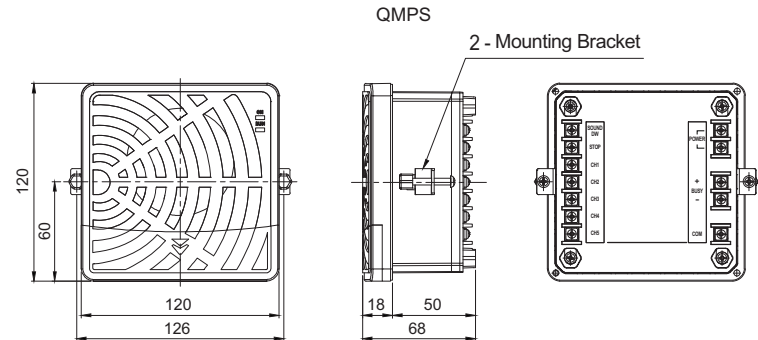
Model number	Voltage	Current	dB	Input Method/ No. of Ch	Certificate	Weight
QMPS	DC12V-24V	Max 0.750A	<ul style="list-style-type: none"> Warning : 98dB MP3 : 95dB 	Bit Input : 5Ch Binary Input : 30Ch	CE DC only UL DC only	0.35kg
	AC110V-220V	Max 0.100A				0.53kg

※ DC type model has a free-voltage range of DC10V-30V.
 ※ AC type model has a free-voltage range of AC100V-240V.

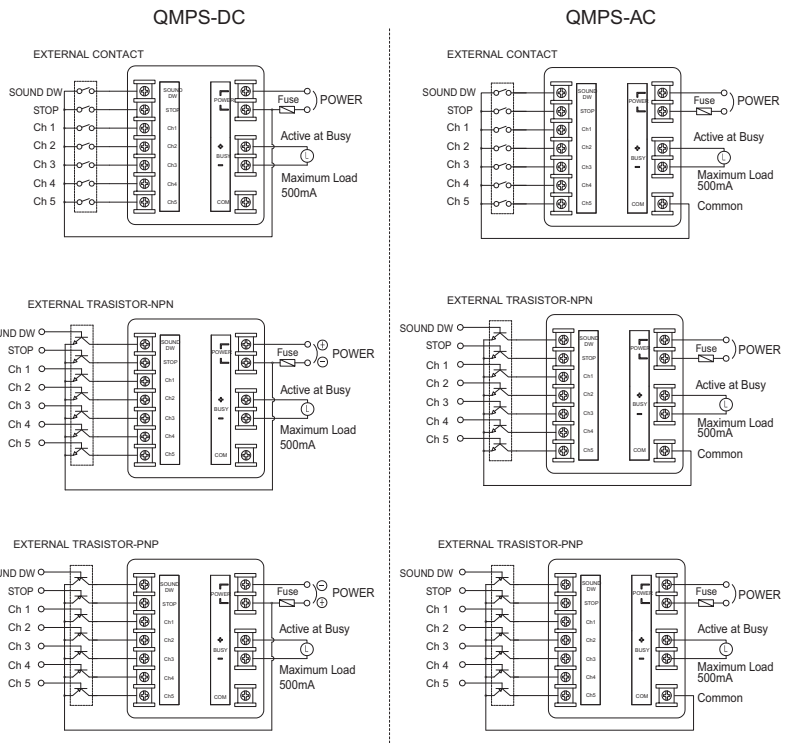


Technical Diagram

(Units : mm)



Wiring Instructions



• In case of bits input, 5 sound tones can be played. For Binary input, 30 sound tones can be played.

※ Please refer to page 140 for detailed channel input instructions.
 (Wiring instruction is substituted for channel selection switch)

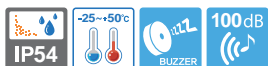


Ordering Specification

QMPS	12/24
[Model number]	[Voltage]
• QMPS	• 12/24-DC12V-24V • 110/220-AC110V-220V

S60ADH

Wall Mounted High Buzzer Horn



S60ADH

S60ADH Max 100dB, Wall Mounted Buzzer Horn

- Elegant wall mounted buzzer horn
- Horn resonance structure gives the product low power consumption and high sound tone
- Cone sound diffusion structure provides wide & excellent signal sound transmission effect
- Sound volume : Max 100dB at 1m
- Ambient operating temperature : -25°C to +50°C
- Protection rating : IP54
- Certificates : CE Compliant



Specification

Model number	Pre-recorded Sound	Voltage	Current	Certificate	Weight
S60ADH	1 Buzzer tone	DC12V	0.083A	 DC24V only	0.12kg
		DC24V	0.042A		0.12kg
		AC110V	0.016A		0.12kg
		AC220V	0.008A		0.12kg

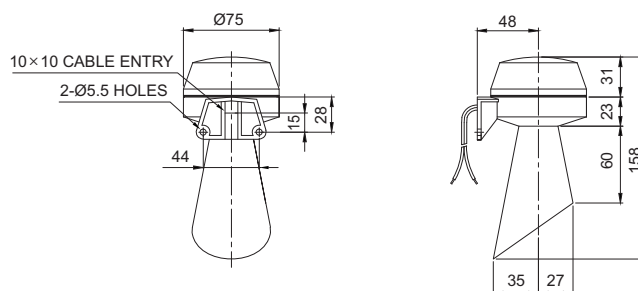
Pre-recorded Sound	Sound Pattern	Channel	dB
1 Buzzer tone	Dududu(Consecutive)	Ch1	100dB



Technical Diagram

(Units : mm)

S60ADH



Customization

- 105dB strong buzzer type(Model number : S60ADH-HBZ)



Ordering Specification

S60ADH	220
[Model number]	[Voltage]
• S60ADH	<ul style="list-style-type: none"> • 12-DC12V • 24-DC24V • 110-AC110V • 220-AC220V

Wall mount multifunctional electric horn which supports 30 built-in sounds and 30 user defined sounds(MP3)

- Bit input : 5Ch(6 groups)
- Binary input : 30Ch
- Support SDcard(MP3)



Common Specifications(QAP80/ QAP100/ QAP125)

- Signal sound diffusing structure with wall mount supports 30 Built-in sounds and 30 user defined sounds
- Buzzer type siren horn supports Max 105dB
- Volume control and tone selector switches are installed inside the unit
- User has the ability to enter voice tones directly into the unit via MP3 files from the SDcard
- This product has 30 Built-in sounds via binary input mode or bit input mode
- Binary input mode allows the user to select from 30 different sound options with the tone selection switch
- Bit input mode is organized into 6 groups of 5 sound tones for a total of 30 sound tone options. Playback can be selected from one of the 5 tones in each group (MP3 file with bit input mode)
- Supports both SDcard and MP3(QAP100HC/QAP125HC)
- Materials : Housing-ABS, Resonance chamber-ABS
- Ambient operating temperature : -25°C to +50°C
- Protection rating : IP65
- Compliant with RoHS directive

• Features



- 1 Switch for Sound selection
- 2 SDcard slot for MP3
- 3 Switch for play mode selection
- 4 Switch for volume adjustment

Sound Selection Instruction for SDcard Type

You can select between pre-recorded sound mode and SDcard sound (MP3) mode with the SOUND selection switch No.1



Bit input mode selection from 6 groups

- 001: WS(5 Warning sounds)
- 010: WP(5 Special warning sounds 1st group)
- 011: WM(5 Melodies)
- 100: WA(5 Alarms)
- 101: WO(5 Special warning sounds 2nd group)
- 110: WN(5 Special warning sounds 3rd group)

Selection between pre-recorded sound mode and SDcard sound mode

- 0: Pre-recorded sound mode
- 1: SDcard sound mode

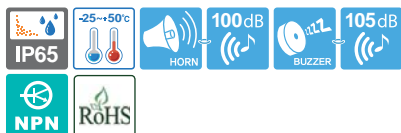
SDcard(MP3) Type



You can easily rearrange the sound playback and group arrangement with PC. Capacity is 32Gbyte.
* SDcard sold separately.

- 30 pre-recorded sounds offered (5 warning sounds, 5 special warning sounds 1st group, 5 melodies, 5 alarms, 5 special warning sounds 2nd group, 5 special warning sounds 3rd group)
- External MP3 sound support (SDcard)
- Binary input : 30 channels
- Bit input: 5 channels (6 sound groups)
- A multi-functional product that can use an SDcard for MP3 playback
- Details on how to setup the multi-functional speakerphone are on page 140

QAP series



- Bit input : 5Ch(6 groups)
- Binary input : 30Ch



QAP80H/ QAP80BZ

QAP80 does not support SDcard.



QAP series' buzzer and electric sound signal is rich and clear because of the way the resonance chamber amplifies the sound.

Electric Horn/ High Siren Buzzer Horn

QAP80H Electric Horn, Wall Mount Type

- Built-in sound

Model number	Voltage	Current	Built-in Sound and dB	Certificate	Weight
QAP80H	DC12V-24V	Max 0.450A	<ul style="list-style-type: none"> • Bit Input : 5Ch • Binary Input : 30Ch • Warning : Max 100dB 	-	0.51kg

- ※ DC type model has a free-voltage range of 10V-30V.
- ※ Please refer to page 141 for detailed sound pattern information.

QAP80BZ High Siren Buzzer, Wall Mount Type

- Built-in high buzzer

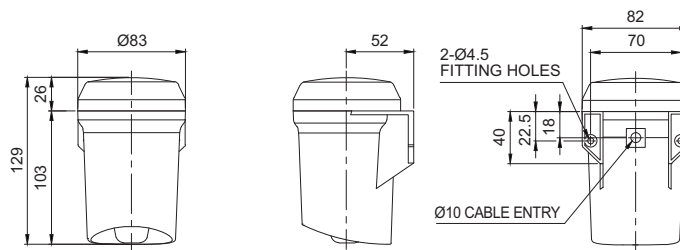
Model number	Voltage	Current	Built-in Sound and dB	Certificate	Weight
QAP80BZ	DC12V	0.300A	• Buzzer Volume : Max 105dB	-	0.54kg
	DC24V	0.150A			0.59kg



Technical Diagram

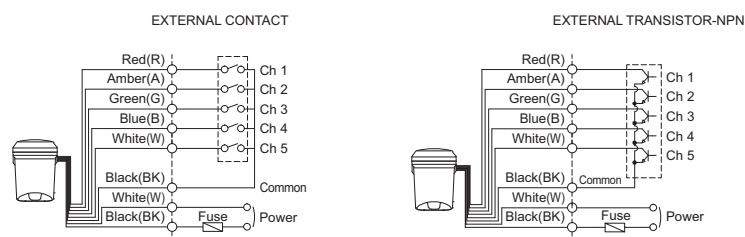
(Units : mm)

QAP80H/ QAP80BZ



Wiring Instructions

QAP80H-DC



- External power line standard : UL1015 AWG18(0.75sq)×2C 400mm
- Signal line standard : UL1007 AWG22(0.3sq) 400mm
- Product can be wired regardless of polarity
- In case of bits input, 5 sound tones can be played. For Binary input, 30 sound tones can be played

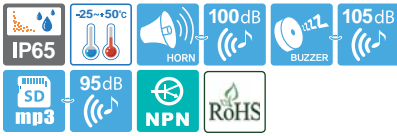
- ※ Please refer to page 140 for detailed channel input instructions.
(Wiring instruction is substituted for channel selection switch.)



Ordering Specification

QAP80H	-	12/24
[Model number]		[Voltage]
• QAP80H		• 12/24-DC12V-24V
• QAP80BZ		• 12-DC12V • 24-DC24V

QAP series



- Bit input : 5Ch(6 groups)
- Binary input : 30Ch
- SDcard(MP3)



QAP100H/ QAP100BZ



QAP series' buzzer and electric sound signal is rich and clear because of the way the resonance chamber amplifies the sound.

Electric Horn/ High Siren Buzzer Horn

QAP100H Electric Horn, Wall Mount Type

- Built-in sound/ MP3

Model number	Voltage	Current	Built-in Sound and dB	Certificate	Weight
QAP100H	DC12V-24V	Max 0.800A	• Bit Input : 5Ch • Binary Input : 30Ch	-	0.60kg
	AC110-220V	Max 0.290A	• Warning : Max 100dB • MP3 : Max 95dB		0.63kg

- ※ DC type model has a free-voltage range of 10V-30V.
- ※ AC type model has a free-voltage range of 100V-240V.
- ※ Please refer to page 141 for detailed sound pattern information.

QAP100BZ High Siren Buzzer, Wall Mount Type

- Built-in high buzzer

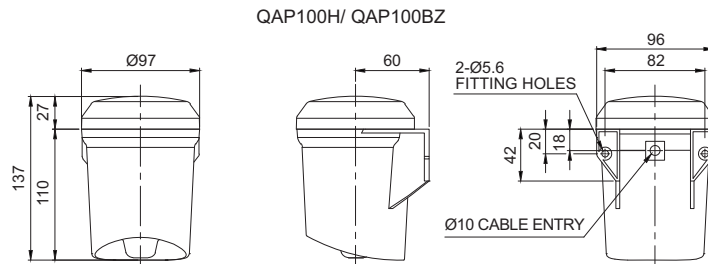
Model number	Voltage	Current	Built-in Sound and dB	Certificate	Weight
QAP100BZ	DC12V	0.300A	• Buzzer Volume : Max 105dB	-	0.65kg
	DC24V	0.150A			0.68kg
	AC110-220V	Max 0.033A			

- ※ AC type model has a free-voltage range of 100V-240V.



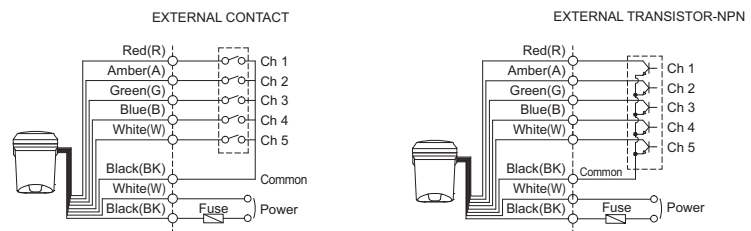
Technical Diagram

(Units : mm)



Wiring Instructions

QAP100H-DC/AC



- External power line standard : UL1015 AWG18(0.75sq)×2C 400mm
- Signal line standard : UL1007 AWG22(0.3sq) 400mm
- Product can be wired regardless of polarity
- In case of bits input, 5 sound tones can be played. For Binary input, 30 sound tones can be played

- ※ Please refer to page 140 for detailed channel input instructions.
(Wiring instruction is substituted for channel selection switch.)



Ordering Specification

QAP100H	110/220
[Model number]	[Voltage]
• QAP100H	• 12/24-DC12V-24V • 110/220-AC110V-220V
• QAP100BZ	• 12-DC12V • 24-DC24V • 110/220-AC110V-220V

QAP series



- Bit input : 5Ch(6 groups)
- Binary input : 30Ch
- SDcard(MP3)



QAP125H/ QAP125BZ



QAP series' buzzer and electric sound signal is rich and clear because of the way the resonance chamber amplifies the sound.

Electric Horn/ High Siren Buzzer Horn

QAP125H Electric Horn, Wall Mount Type

- Built-in sound/ MP3

Model number	Voltage	Current	Built-in Sound and dB	Certificate	Weight
QAP125H	DC12V-24V	Max 0.800A	<ul style="list-style-type: none"> • Bit Input : 5Ch • Binary Input : 30Ch • Warning : Max 115dB • MP3 : Max 100dB 	-	0.70kg
	AC110-220V	Max 0.290A			0.73kg

- * DC type model has a free-voltage range of 10V-30V.
- * AC type model has a free-voltage range of 100V-240V.
- * Please refer to page 141 for detailed sound pattern information.

QAP125BZ High Siren Buzzer, Wall Mount Type

- Built-in high buzzer

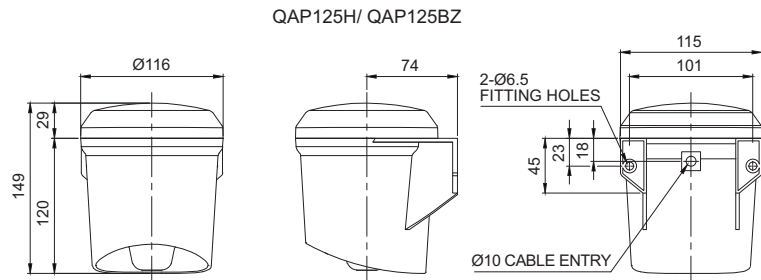
Model number	Voltage	Current	Built-in Sound and dB	Certificate	Weight
QAP125BZ	DC12V	0.300A	<ul style="list-style-type: none"> • Buzzer Volume : Max 105dB 	-	0.75kg
	DC24V	0.150A			0.78kg
	AC110-220V	Max 0.033A			0.78kg

- * AC type model has a free-voltage range of 100V-240V.



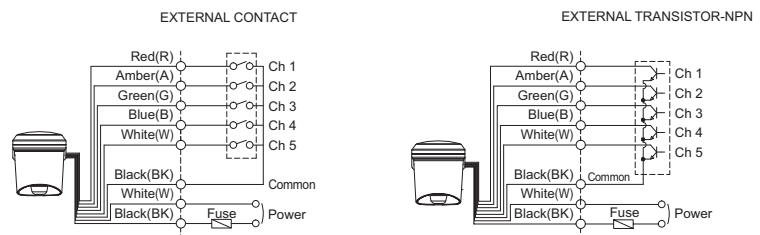
Technical Diagram

(Units : mm)



Wiring Instructions

QAP125H-DC/AC



- External power line standard : UL1015 AWG18(0.75sq)×2C 400mm
- Signal line standard : UL1007 AWG22(0.3sq) 400mm
- Product can be wired regardless of polarity
- In case of bits input, 5 sound tones can be played. For Binary input, 30 sound tones can be played

- * Please refer to page 140 for detailed channel input instructions. (Wiring instruction is substituted for channel selection switch.)



Ordering Specification

QAP125H	110/220
[Model number]	[Voltage]
• QAP125H	<ul style="list-style-type: none"> • 12/24-DC12V-24V • 110/220-AC110V-220V
• QAP125BZ	<ul style="list-style-type: none"> • 12-DC12V • 24-DC24V • 110/220-AC110V-220V

SRN/SEN15/SEN25

General Electric Horns



Common Specifications(SRN/ SEN15/ SEN25)

- Cost effective model with high signal sound
- A variety of sound selections between warning sounds, alarm sounds, melodies and voice messages to fit your sophisticated application needs
- User defined voice signal type(WV) shall be provided upon request
- Can adjust sound volume with the switch built inside the unit
- Materials : Housing-ABS(Standard Color : Red)
- Ambient operating temperature : -25°C to +50°C
- Protection rating : IP55
- Certificates : CE Compliant

108dB



SRN

SRN Max 108dB

Model number	Built-in Sound	dB	Voltage	Current	Certificate	Weight
SRN	WS 5 Warnings	108dB	DC12V DC24V AC110V AC220V	0.322A 0.233A 0.073A 0.036A	 DC only	DC-0.72kg AC-0.98kg
	WM 5 Melodies	108dB				
	WA 5 Alarms	105dB				
	WV 5 Voices	98dB				

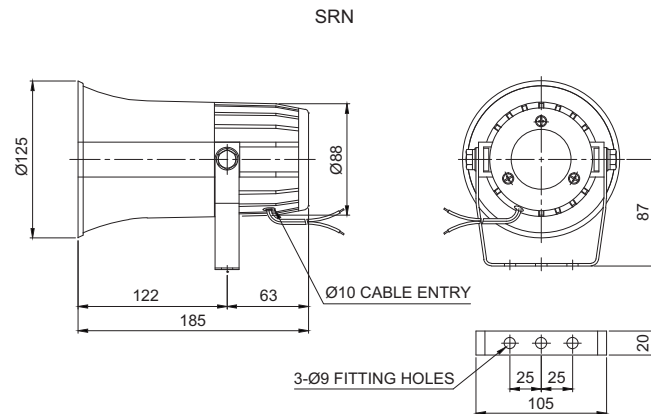
108dB



SEN15

Technical Diagram

(Units : mm)



SRN

115dB



SEN25

SEN15 Max 108dB

Model number	Built-in Sound	dB	Voltage	Current	Certificate	Weight
SEN15	WS 5 Warnings	108dB	DC12V DC24V AC110V AC220V	0.366A 0.266A 0.077A 0.038A	 DC only	DC-0.76kg AC-1.03kg
	WM 5 Melodies	108dB				
	WA 5 Alarms	105dB				
	WV 5 Voices	98dB				

SEN25 Max 115dB

Model number	Built-in Sound	dB	Voltage	Current	Certificate	Weight
SEN25	WS 5 Warnings	115dB	DC12V DC24V AC110V AC220V	2.211A 1.022A 0.226A 0.113A	 DC only	DC-0.95kg AC-1.23kg
	WM 5 Melodies	115dB				
	WA 5 Alarms	113dB				
	WV 5 Voices	108dB				

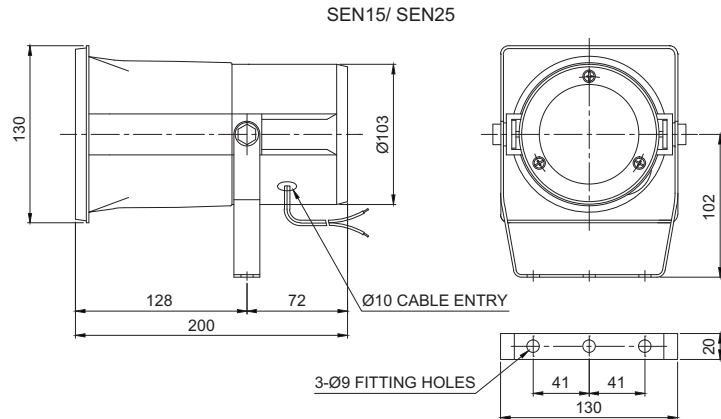
SRN/SEN15/SEN25

General Electric Horns



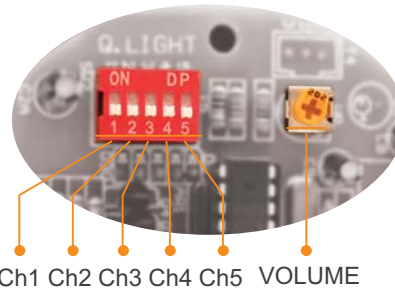
Technical Diagram

(Units : mm)



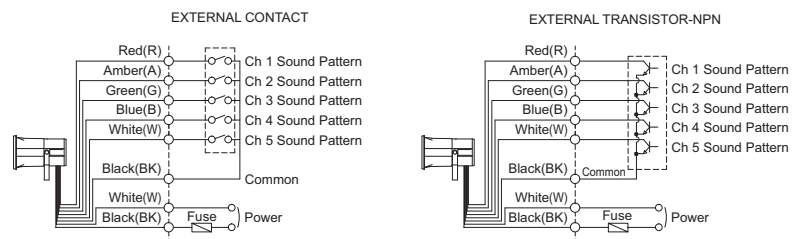
Sound Selection and Wiring Instructions

- Standard : Internal switch
- Internal switch allows to choose sound pattern for SRN/SEN15/SEN25 models



- External Power Line, Threading type : Standard VCTF(0.75sq×2C)×400mm
- LC type signal line : UL1007 AWG22(0.3sq) 400mm
- Product can be wired regardless of polarity

SRN/ SEN15/ SEN25-DC/AC



Customization

- Customized type: Select using the external contact(LC)
- You can select the audible sound pattern using external contacts or transistor with a customized external sound line(Model number : -LC)

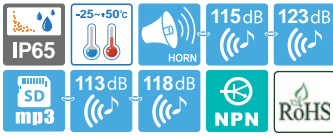


Ordering Specification

SRN	-	WS	-	220	-	LC
[Model number]		[Sound]		[Voltage]		[Sound selection]
<ul style="list-style-type: none"> • SRN • SEN15 • SEN25 		<ul style="list-style-type: none"> • WS-5 Warnings • WM-5 Melodies • WA-5 Alarms • WV-5 Voices 		<ul style="list-style-type: none"> • 12-DC12V • 24-DC24V • 110-AC110V • 220-AC220V 		<ul style="list-style-type: none"> • None - Internal Switch • LC - External Contact

SMP series

Self Stand Multi-Functional Electric Horns

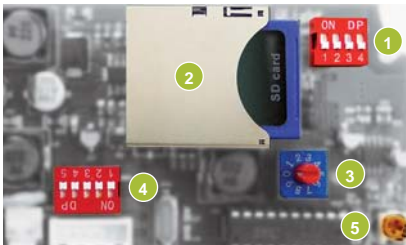


123dB



SMP35/ SMP50

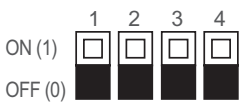
Channel Input Type of Multifunctional Product



- 1 Switch for sound pattern selection
- 2 SDCard slot for MP3
- 3 Switch for play mode selection
- 4 Switch for channel selection
- 5 Switch for volume adjustment

Switch for Sound

- Switch No1. allows choosing one option between pre-recorded sound and SDCard



Bit input mode selection from 6 groups

- 001: WS(5 Warning sounds)
- 010: WP(5 Special warning sounds 1st group)
- 011: WM(5 Melodies)
- 100: WA(5 Alarms)
- 101: WO(5 Special warning sounds 2nd group)
- 110: WN(5 Special warning sounds 3rd group)

Selection between pre-recorded sound mode and SDCard sound mode

- 0: pre-recorded sound mode
- 1: SDCard sound mode

- 30 pre-recorded sounds offered (5 warning sounds, 5 special warning sounds 1st group, 5 melodies, 5 alarms, 5 special warning sounds 2nd group, 5 special warning sounds 3rd group)
- External MP3 sound support (SDcard)
- Binary input : 30 Channels
- Bit input : 5 Channels (6 sound groups)
- A multi-functional product that can use an SDcard for MP3 playback
- Details on how to setup the multi-functional speakerphone are on page 140



Common Specifications(SMP35/ SMP50)

- Can prevent cross talk of different voice environments by selecting an audio signal fit for the specific environment and condition
- 30 pre-recorded sound type and supports Binary input mode and Bit input mode
- Binary input mode can playback 30 sound tones by using sound tone select switch
- Volume adjustment and sound selection switches located inside the unit. SDcard in the unit offers convenient operation
- SDcard type allows the user to input the proper voice messages for specific operating conditions
- Support MP3 file and user can input user defined sound
- Tightly sealed structure that blocks dust with IP65 protection rating- suitable for outdoor installation
- Materials : Housing-ABS, Resonance chamber-ABS, Bracket-ST3S
- Ambient operating temperature : -25°C to +50°C
- Protection rating: IP65
- Compliant with RoHS directive

SMP35 Multifunctional Self Stand Type Electric Signal Horn(Supports Warning Sound/ MP3)

- Volume : Max 115dB at 1m

Model number	Voltage	Current	Built-in Sound and dB	Certificate	Weight	Weight
SMP35	DC12V-24V	Max 0.800A	• Warning : 115dB • MP3 : 113dB	Bit Input : 5Ch Binary Input : 30Ch	-	0.76kg
	AC110V-220V	Max 0.290A				1.03kg

- ※ DC type model has a free-voltage range of 10V-30V.
- ※ AC type model has a free-voltage range of 100V-240V.

SMP50 Multifunctional Self Stand Type Electric Signal Horn(Supports Warning Sound/ MP3)

- Powerful 50W unit can generate high signal sound
- Volume : Max 123dB at 1m

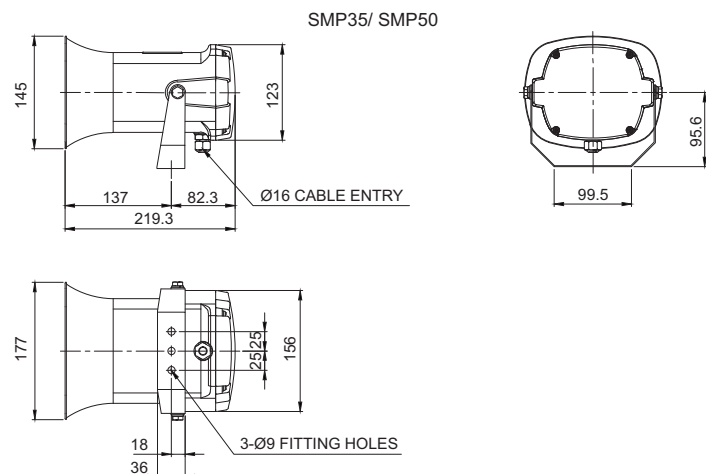
Model number	Voltage	Current	Built-in Sound and dB	Certificate	Weight	Weight
SMP50	DC12V	1.800A	• Warning : 123dB • MP3 : 118dB	Bit Input : 5Ch Binary Input : 30Ch	-	0.95kg
	DC24V	1.000A				1.23kg
	AC110V-220V	Max 0.600A				

- ※ AC type model has a free-voltage range of 100V-240V.



Technical Diagram

(Units : mm)



SMP series

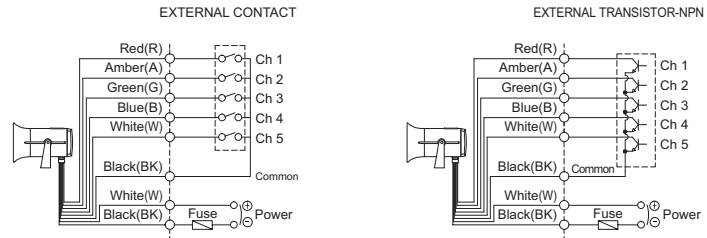
Self Stand Multi-Functional Electric Horns

Category	Ch	Sound
WS 5 Warning Sounds	Ch1	Fire.A-ANG
	Ch2	Emergency WA-U(Yelp)
	Ch3	Ambulance PI-PO(Hi-low)
	Ch4	Machinery Fault
	Ch5	High Expansion
WP 5 Special Warning Sounds (1st group)	Ch1	Fire.A-ANG
	Ch2	Abandon Alarm
	Ch3	Machinery Fault
	Ch4	High Expansion
	Ch5	7 Short PI. / 1 Long
WM 5 Melodies	Ch1	Sweet Home
	Ch2	For Elise
	Ch3	Cuckoo's Waltz
	Ch4	Piano Sonata
	Ch5	Turkish March
WA 5 Alarms	Ch1	Beep Intermittent
	Ch2	Door Chime
	Ch3	Phone Ring
	Ch4	PI.PI.PI Short
	Ch5	Tripping Beat
WO 5 Special Warning Sounds (2nd group)	Ch1	Phone Ring
	Ch2	Police
	Ch3	Emergency
	Ch4	Phone Ring 2
	Ch5	911 siren
WN 5 Special Warning Sounds (3rd group)	Ch1	Do-ong Do-ong
	Ch2	Di- Di-
	Ch3	PI.PI.PI long
	Ch4	Li long Li long
	Ch5	Siren

Sound Selection and Wiring Instructions

- Standard : Select using the switch inside of the unit
- Customized wiring in case of external contact or transistor wiring type as sound tone selector (Model name : -LC)

SMP35/ SMP50-DC/AC



- DC type : Black output is negative(-)
- Channel selection, 5 sounds played for Bit input and 30 sound played for binary input

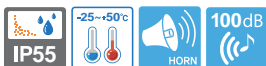
※ Please refer to page 140 for detailed channel input instructions.
(Wiring instruction is substituted for channel selection switch.)

Ordering Specifications

SMP50	-	110/220	-	LC
[Model number]		[Voltage]		[Sound selection]
• SMP35		• 12/24-DC12V-24V • 110/220-AC110V-220V		• Standard - Built-in Switch
• SMP50		• 12-DC12V • 24-DC24V • 110/220-AC110V-220V		• LC - External contact

SN-1

Small Size Electric Horn



100dB



SN-1

Ordering Specification

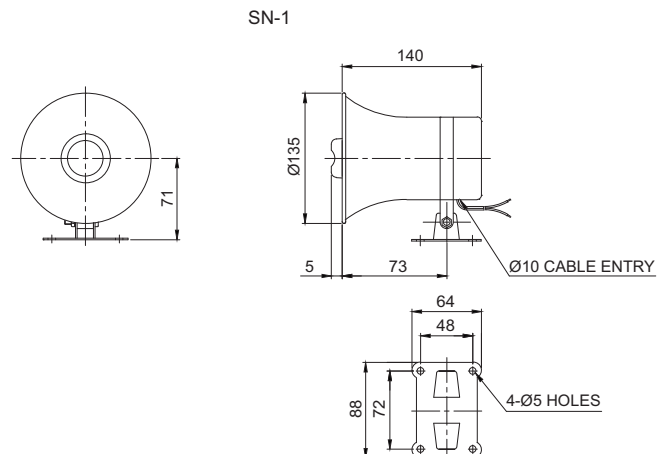
SN-1	-	12
[Model number]		[Voltage]
• SN-1		• 12-DC12V • 24-DC24V

SN-1 Max 100dB

- 1 warning sound and cost effective model for DC only

Technical Diagram

(Units : mm)



Wall mount electric horn that offers 31 pre-recorded warning sounds and 30 user selected sound messages

- Bit input offers 5 channels with 6 sound outputs
- Binary input offers 31 sound outputs and SD Card (MP3) combination

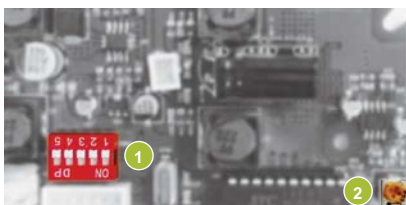


• Sound Selection and Volume Adjustment Instructions

QWH series has control switches inside the unit for sound selection and volume adjustment. You can play customized sound message(MP3) with SD Card.

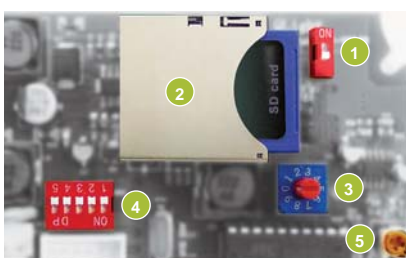
QWH series Product Category	
QWH35	Standard pre-recorded sound type
QWH35SD	SD Card(MP3) type
QWH50	Standard pre-recorded sound type with high volume output
QWH50SD	SD Card (MP3)type with high volume output

Pre-recorded sound type



- 1 Switch for channel selection
- 2 Switch for volume adjustment

SD Card (MP3) type



- 1 Switch for sound pattern selection
- 2 SD Card slot for MP3
- 3 Switch for play mode selection
- 4 Switch for channel selection
- 5 Switch for volume adjustment



Common Specifications(QWH35/ QWH35SD/ QWH50/ QWH50SD)

- Signal fit for the specific environment and condition.
- Options to select between 31 special warning sounds included in the pre-recorded sound type and SD Card(MP3) type
- Volume adjustment and sound selection switches located inside the unit. SD Card in the unit offers convenient operation.
- SD Card type allows the user to input the proper voice messages for specific operating conditions.
- The SD Card type 31 Special alarms built in which includes the voice alert from the SD Card (MP3). 31 special warning sounds are built both in pre-recorded sound type and SD Card type
- Offers both Binary and Bit input mode options (only the SD Card type has the bit input)
- Tightly sealed structure that blocks water and dust with IP66 protection rating suitable for outdoor installation
- Cable entry : PG 13.5
- Materials : Horn-PC, Housing-PC+ABS
- Ambient operating temperature : -30°C to +50°C(Standard type)
-30°C to +50°C(SD Card type)
- Protection rating : IP66
- Certificates : CE Compliant
- Compliant with RoHS directive

The input method of built-in sound type

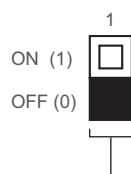
	1	2	3	4	5
ON	<input type="checkbox"/>	<input type="checkbox"/>	<input type="checkbox"/>	<input type="checkbox"/>	<input type="checkbox"/>
OFF	<input type="checkbox"/>	<input type="checkbox"/>	<input type="checkbox"/>	<input type="checkbox"/>	<input type="checkbox"/>
No.	1	2	3	4	5
0	0	0	0	0	0
1	0	0	0	0	1
2	0	0	0	1	0
:	:	:	:	:	:
31	1	1	1	1	1

Select from 31 pre-recorded output sound options by using a combination of the 5 channel input switches.

The binary input method allows you to express each of the 31 alarm sound signals with a "0" or "1" by switching the 5 channels on and off as shown in the table.

Sound selection instruction for SD Card type

You can select between pre-recorded sound mode and SD Card sound (MP3) mode with the SOUND selection switch.

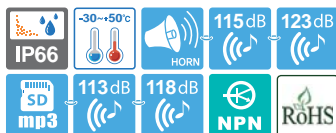


Selection between pre-recorded sound mode and SD Card sound mode
0 : pre-recorded sound mode
1 : SD Card sound mode

- 31 built-in alarm sounds and special sound
- Supports SD Cards for external sound (MP3)
- Binary Input : 31Ch
- Bit Input : 5Ch(SD Card only)
- A versatile product that can play MP3 files via the SD card
- For detailed setup instructions, please see page 138 for the special beep-type products.
- Channel 1 is set as the factory default

QWH series

Wall Mount Electric Horn with Pre-recorded Special Warning Sound



115dB



QWH35 series

123dB



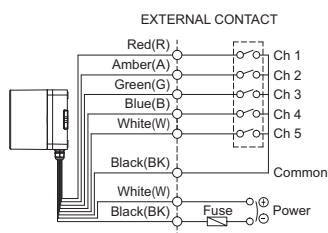
QWH50 series



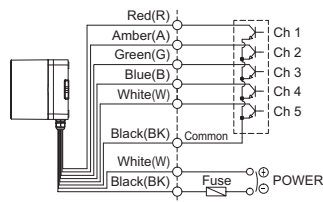
Sound Selection and Wiring Instructions

- Standard : Internal switch
- Customization : External contact(LC)

QWH35/ QWH50-DC/AC



EXTERNAL TRANSISTOR-NPN



- Channel selection, 5 sounds available with Bit input and 31 sound available with Binary input

- DC type : Black line is negative(-)

※ Please refer to Page 138 for channel input. (Wiring Instructions is changed to channel selection switches)

QWH35 Wall Mount Electric Horn MP3(SD Card) with Pre-recorded Special Warning Sound

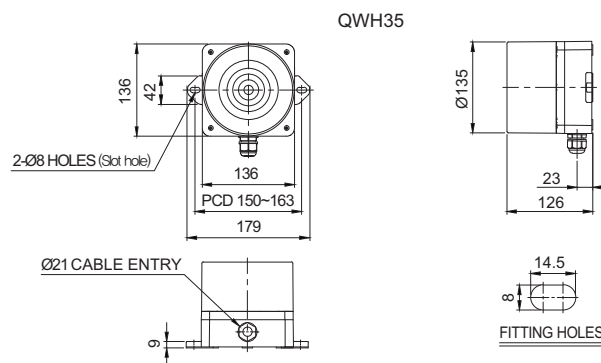
Model number	Voltage	Current	Volume	Binary input/ Channels	Certificates	Weight
QWH35	DC12V-24V	Max 0.800A	<ul style="list-style-type: none"> • Special warning sound : 115dB • MP3 sound : 113dB 	Binary Input : 31Ch	DC Only	0.9kg
QWH35SD	AC110V-220V	Max 0.290A		Bit Input : 5Ch (SD Card only) Binary Input : 31Ch		

- ※ DC type model has a free-voltage range of 10V-30V.
- ※ AC type model has a free-voltage range of 100V-240V.



Technical Diagram

(Units : mm)



QWH50 Wall Mount Electric Horn MP3(SD Card) with Pre-recorded Special Warning Sounds

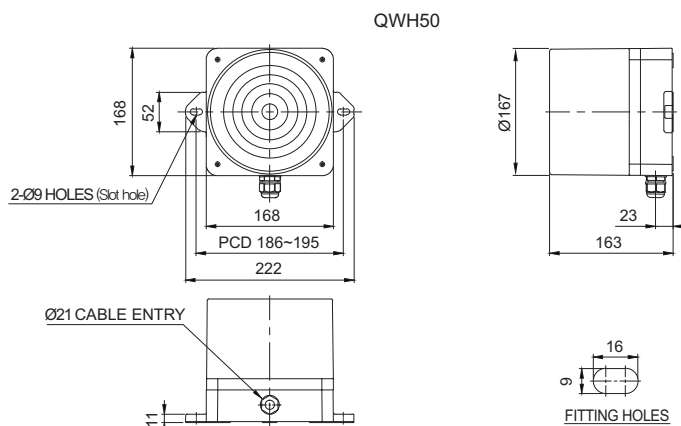
Model number	Voltage	Current	Volume	Binary input /Channels	Certificates	Weight
QWH50	DC12V DC24V	Max 5.800A Max 0.600A	<ul style="list-style-type: none"> • Special warning sound : 123dB • MP3 sound : 118dB 	Binary Input : 31Ch	DC Only	2.7kg
QWH50SD	AC110V-220V			Bit Input : 5Ch (SD Card only) Binary Input : 31Ch		

- ※ AC type model has a free-voltage range of 100V-240V.



Technical Diagram

(Units : mm)



Customization

- External threading of sound selection signal line (Model number : -LC)



Ordering Specification

QWH50	-	110/220	-	LC
[Model number]		[Voltage]		[Sound selection]
<ul style="list-style-type: none"> • QWH35 • QWH35SD 		<ul style="list-style-type: none"> • 12/24-DC12V-24V • 110/220-AC110V-220V 		<ul style="list-style-type: none"> • Standard • Built-in Switch • LC • -External contact
<ul style="list-style-type: none"> • QWH50 • QWH50SD 		<ul style="list-style-type: none"> • 12-DC12V • 24-DC24V • 110/220-AC110V-220V 		

SN/SEHN25

Electric Horns for Vessels and Heavy Industrial Applications



Steel Housing

105dB



SN

115dB



SEHN25



Common Specifications(SN/ SEHN25/ SEHN50)

- Steel housing provides excellent vibration and shock resistance under seismic conditions
- A variety of sound selections between warning sounds, alarm sounds, melodies and voice messages to fit your sophisticated application needs
- Can adjust sound volume with the switch built inside the unit
- Materials : Housing-Steel, Horn housing -Steel
- Housing standard color : Red
- Ambient operating temperature : -25°C to +50°C
- Protection rating : IP55, Suitable for outdoor installation
- Certificates : KIMM Compliant

SN Max 105dB, Self Stand Type

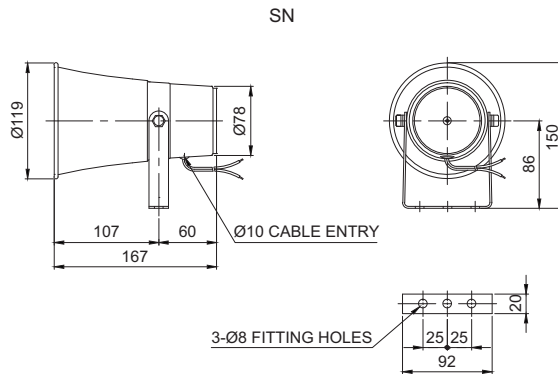
Model number	Sound pattern	Volume	Voltage / Current	Certificates	Weight
SN	WS 5 Warning sounds	105dB	DC12V / 0.266A DC24V / 0.211A AC110V / 0.062A AC220V / 0.031A		DC-0.91kg AC-1.06kg
	WM 5 Melodies	105dB			
	WA 5 Alarms	103dB			
	WV 5 Customizable sounds	95dB			

* Please refer to Page 136 for detailed information about selectable sound patterns.



Technical Diagram

(Units : mm)



SEHN25 Max 115dB, Self Stand Type

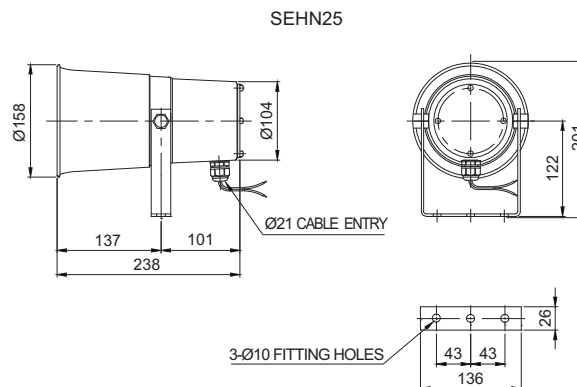
Model number	Sound pattern	Volume	Voltage / Current	Certificates	Weight
SEHN25	WS 5 Warning sounds	115dB	DC12V / 2.211A DC24V / 1.022A AC110V / 0.226A AC220V / 0.113A		DC-2.26kg AC-2.48kg
	WM 5 Melodies	115dB			
	WA 5 Alarms	113dB			
	WV 5 Customizable sounds	108dB			

* Please refer to Page 136 for detailed information about selectable sound patterns.



Technical Diagram

(Units : mm)



SEHN50

Electric Horns for Vessels and Heavy Industrial Applications



Steel Housing

120dB



SEHN50

SEHN50 Max 120dB, Self Stand Type

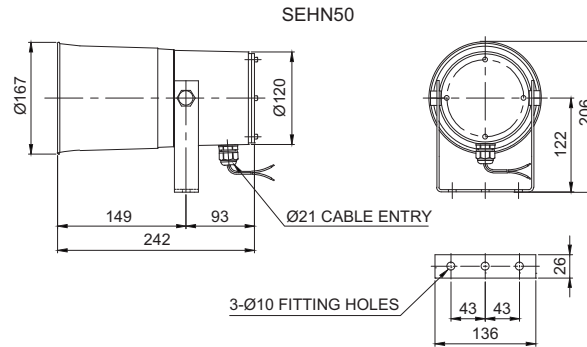
Model number	Sound pattern	Volume	Voltage / Current	Certificates	Weight
SEHN50	WS 5 Warning sounds	120dB	DC12V / 2.440A		DC-2.67kg AC-3.30kg
	WM 5 Melodies	120dB	DC24V / 1.186A		
	WA 5 Alarms	118dB	AC110V / 0.244A		
	WV 5 Customizable sounds	115dB	AC220V / 0.122A		

* Please refer to Page 136 for detailed information about selectable sound patterns.



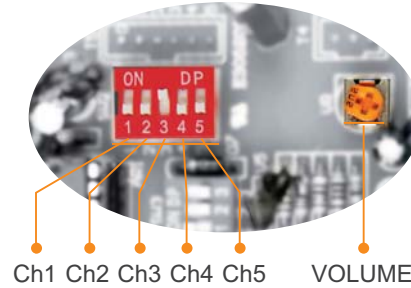
Technical Diagram

(Units : mm)



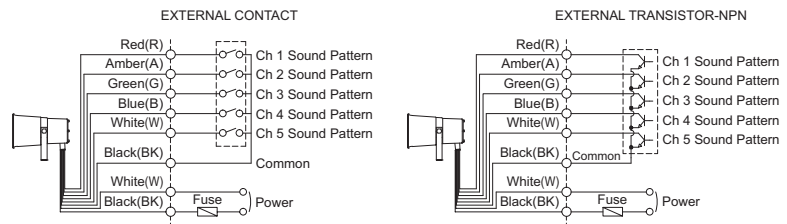
Sound Selection and Wiring Instructions

- Standard : Internal switch
- When each channel dip switch is on, a related sound will be played



- Customization : External contact(LC)

SN/ SEHN25/ SEHN50-DC/AC



Customization

- You can select the audible sound pattern using external contacts or transistor with a customized external sound line. (Model number : -LC)

- External power line standard : VCTF(0.75sq)×2C 400mm
- LC type signal line standard : UL1007 AWG22(0.3sq) 400mm
- Product can be wired regardless of polarity



Ordering Specification

SEHN25	-	WA	-	220	-	LC
[Model number]		[Sound]		[Voltage]		[Sound selection]
<ul style="list-style-type: none"> • SN • SEHN25 • SEHN50 		<ul style="list-style-type: none"> • WS-Warning • WM-Melody • WA-Alarm • WV-Customizable sound 		<ul style="list-style-type: none"> • 12-DC12V • 24-DC24V • 110-AC110V • 220-AC220V 		<ul style="list-style-type: none"> • Standard -Built-in switch • LC -External contact

SM series

Motor Sirens



110dB



SM30

116dB



SM40

! Continuous operation rating time is 10 mins. Over 10 mins of continuous operation may cause motor damage. Please be careful.

Ordering Specification

SM30	-	24
[Model number]		[Voltage]
<ul style="list-style-type: none"> SM30 SM40 		<ul style="list-style-type: none"> 12-DC12V 24-DC24V 110-AC110V 220-AC220V

SM30 Miniature Motor Siren

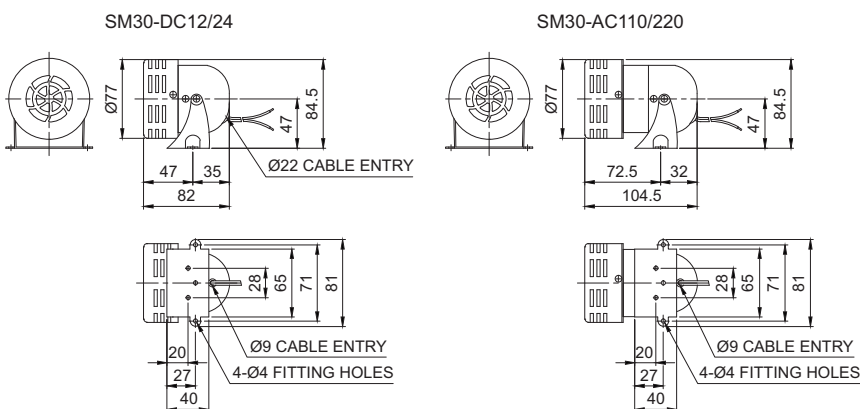
- Ø80mm compact structure with 110dB sound output
- Motor RPM : 10,000RPM
- Materials : Steel
- Power consumption : 40W
- Protection rating : IP 44
- Housing standard color : Red
- Insulation resistance : 100MΩ(at 500 VDC)
- Ambient operation temperature : -25°C to +50°C

Specifications

Model number	Volume	Voltage	Current	Certificates	Weight	Rated time
SM30	110dB	DC12V	3.222A	-	0.22kg	10 min
		DC24V	1.779A		0.22kg	
		AC110V	1.333A		0.42kg	
		AC220V	1.000A		0.42kg	

Technical Diagram

(Units : mm)



SM40 Miniature Motor Siren

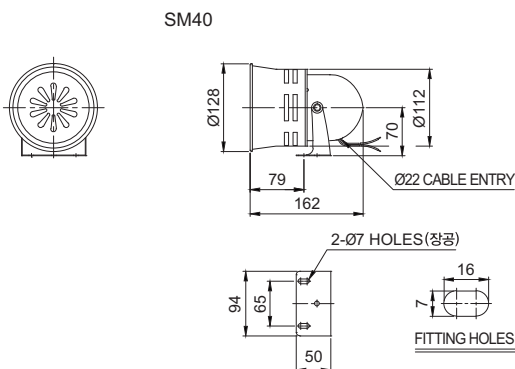
- Ø100mm compact structure with 116dB sound output
- Motor RPM : 7,000RPM
- Materials : ABS
- Power consumption : 80W
- Protection rating : IP 44
- Housing standard color : Gray
- Insulation resistance : 100MΩ(at 500 VDC)
- Ambient operation temperature : -25°C to +50°C

Specifications

Model number	Volume	Voltage	Current	Certificates	Weight	Rated time
SM40	116dB	DC12V	6.778A	-	0.53kg	10 min
		DC24V	3.666A		0.53kg	
		AC110V	1.000A		0.68kg	
		AC220V	0.722A		0.68kg	

Technical Diagram

(Units : mm)



SM series

Motor Sirens



120dB



SM200

123dB



SM400



Continuous operation rating time of SM400 is 3 mins. Over 3 mins of continuous operation may cause damage to the motor. Please be careful.



Ordering Specification

SM200	-	24
[Model number]		[Voltage]
• SM200		• 24-DC24V
• SM400		• 110-AC110V
		• 220-AC220V

SM200 120dB Heavy-Duty Motor Siren

- Excellent durability and high volume are suitable for noisy environment
- Motor RPM : 7,200RPM
- Materials : Steel/Al
- Ambient operation temperature : -25°C to +50°C
- Certificates : CE Compliant
- Housing standard color : Red
- Insulation resistance : 100MΩ(at 500 VDC)
- Protection rating : IP 44



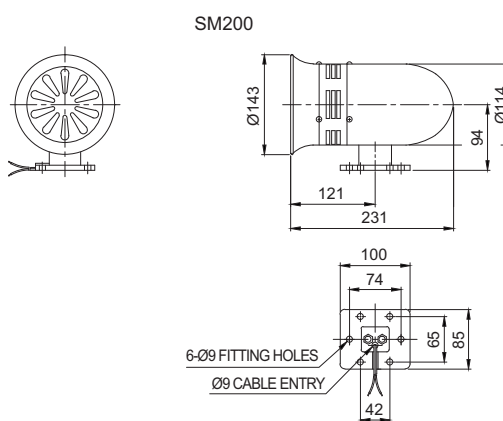
Specifications

Model number	Volume	Voltage	Current	Certificates	Weight	Rated time
SM200	120dB	DC24V	7.820A	CE	2.19kg	10 min
		AC110V	2.105A		2.55kg	
		AC220V	1.005A		2.55kg	



Technical Diagram

(Units : mm)



SM400 Sound 123dB Heavy-Duty Motor Siren

- 123dB high volume model suitable for long-distance audible signal in noisy environments
- Motor RPM : 7,600RPM
- Materials : Steel/ABS
- Ambient operation temperature : -25°C to +50°C
- Certificates : CE Compliant
- Housing standard color : Red
- Insulation resistance : 100MΩ(at 500 VDC)
- Protection rating : IP 44



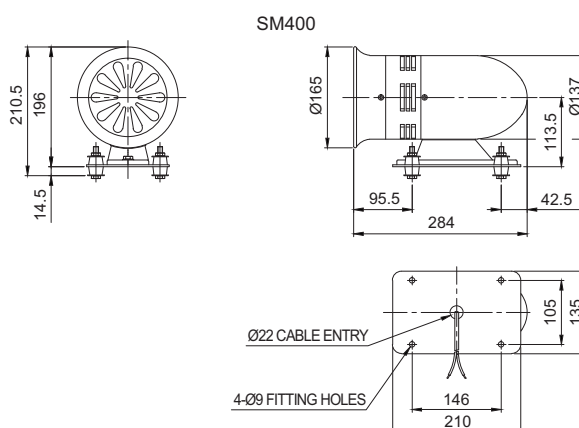
Specifications

Model number	Volume	Voltage	Current	Certificates	Weight	Rated time
SM400	123dB	DC24V	12.000A	-	3.19kg	3 min
		AC110V	6.300A		3.75kg	
		AC220V	3.800A		3.75kg	



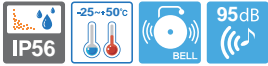
Technical Diagram

(Units : mm)



SAB series

Alarm Bells with Lamp Attached for Vessels and Heavy Industrial Applications



SAB130
-Bell housing Ø130mm

SAB200
-Bell housing Ø200mm

SAB130/ SAB200 Max 95dB

- Electric solenoid bell system provides excellent durability to vibration and shock for vessels and large facilities
- Special material for bell housing provides clear and crisp alarm sound
- Excellent vibration and shock resistant structure for superior durability
- Easy wiring and maintenance with terminal box attached
- Lamp attached provides visual signals
- Bell and lamp operation is synchronized. Each function can also operate separately
- Sound volume : Max 95dB at 1m
- Standard color : Housing-beige, Bell/ Lamp-Red
- Materials : Bell-Steel, Housing-ABS
- Ambient operating temperature : -25°C to +50°C
- Protection rating : IP56
- Cable entry : PG19

95dB



SAB130

95dB



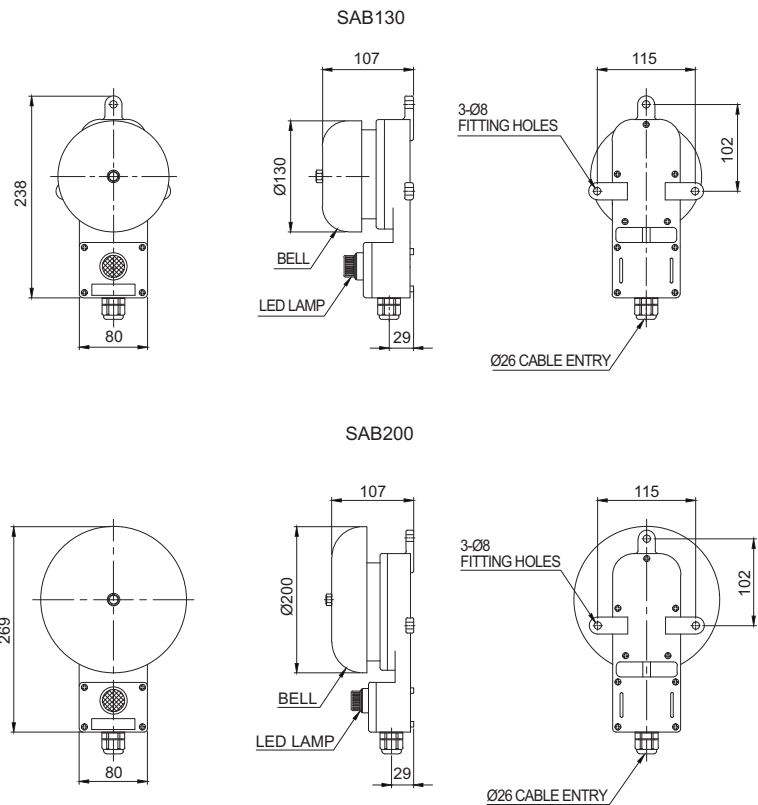
SAB200

Specifications

Model number	Frequency	Volume	Bell diameter	Voltage	Current	Certificates	Weight	Bell/ Lamp color
SAB130	400-600Hz	95dB	130mm	DC24V	1.100A	-	1.88kg	• R-Red
SAB200			200mm	AC110V	0.350A			
				AC220V	0.300A		2.00kg	

Technical Diagram

(Units : mm)



Customization

- Two way cable entries with PG19

Ordering Specification

SAB200	-	110	-	CG
[Model number]		[Voltage]		[Cable gland]
• SAB130 • SAB200		• 24-DC24V • 110-AC110V • 220-AC220V		• Standard -Back wiring type • CG -Built-in cable gland type

Technical Certification

Qlight products are designed to meet strict quality and technical standards. Thus, the Qlight brand is widely recognized for its high quality and technical innovations from leading institutions around the world.



ISO International Organization for Standardization

Qlight quality assurance systems have been certified by ISO by applying the ISO 9001:2008, KS Q ISO 9001:2009 regulation.



IECEX International Explosion Proof Certification (IECEX)

Certified that Qlight's products are being manufactured and managed according to international standards.



ATEX The European Regulatory Framework of Manufacture, Installation and Use of Equipment in Explosive Atmospheres

Qlight explosion proof products comply with ATEX Directives 94/9/EC.



NEPSI National Supervision and Inspection Center for Explosion Protection and Safety of Instrumentation

Qlight's design and manufacturing system meets the People's Republic of China National explosion proof Standard. (Chinese Standard-GB3836/GB12476)



KGS Korea Gas Safety Corporation

Approved from "Korea Gas Safety Corporation" that Qlight's design and manufacturing system meets the standard of KGS.



KOSHA Korea Occupational Safety and Health Agency

Approved by the "Korea Occupational Safety and Health Agency" that Qlight's design and manufacturing system meets the standard of KOSHA.



ABS American Bureau of Shipping

Qlight's design and quality assurance system has been certified by the American Bureau of Shipping.



LR Lloyd's Register

Qlight design and quality assurance system has been certified from Lloyd's Register.



CCS China Classification Society

Qlight design and quality assurance system has been certified by the China Classification Society.



RMRS Russian Maritime Register of Shipping

Qlight design and quality assurance system has been certified from Russian Maritime Register of Shipping.



KR Korean Register of Shipping

Qlight design and quality assurance system has been certified by the Korean Register of Shipping.



CE European Commission

Qlight has been certified by the European Commission.



UL Underwriters Laboratories

Qlight design and quality assurance system has been certified from UL to ensure the stability of consumption goods and to protect consumers.



KC Korea Safety Certification

Qlight products are certified by KC for preventing accident caused by fire.



CCC China Compulsory Certificate

Qlight has obtained CCC which guarantees safety, protection against fraud, environment, etc.



ICAO International Civil Aviation Organization

Qlight guarantees our products satisfy the criteria regulated by the International Civil Aviation Organization (ICAO, FAA).



E-mark Commission Directive Regarding Vehicle Industry

Qlight has obtained EU mark for approved vehicles and vehicle components sold into the EU (EEA: European Economic Area)



RoHS Restriction of Hazardous Substances Directive

Qlight complies with the Restriction of Hazardous Substances Directive by limiting its use of hazardous materials.