

**PRELIMINARY**

# More Precision



## optoNCDT ILR3800-100 Powerful laser distance sensor

- Compact and small sensor design allows easy installation in numerous environments
- Very high signal stability on various surfaces
- Easy OEM customization through configurable ME software
- Optionally available with heating unit (ILR3800-100-H) or IO-Link (ILR3800-100-IO)



Model		ILR3800-100	ILR3800-100-H	ILR3800-100-IO
Measuring range <sup>[1]</sup>	Black 6 %	Start of measuring range	0.05 m	
		End of measuring range	30 m	
	Gray 40 %	Start of measuring range	0.05 m	
		End of measuring range	70 m	
	White 80 %	Start of measuring range	0.05 m	
		End of measuring range	100 m	
Reflector film	Start of measuring range	35 m		
	End of measuring range	150 m		
Measuring rate		20 Hz		
Resolution		0.1 mm		
Linearity		< ± 1 mm		
Repeatability <sup>[2]</sup>		< 300 µm		
Temperature compensation		-10 ... +50 °C	-40 ... +65 °C	-10 ... +50 °C
Light source		Semiconductor laser < 1 mW, 655 nm (red)		
Typ. service life		50,000 h		
Laser class		Class 2 in accordance with DIN EN 60825-1: 2022-07		
Permissible ambient light		50,000 lx		
Supply voltage		10 ... 30 VDC	24 ... 30 VDC	10 ... 30 VDC
Power consumption		< 1.5 W (24 V)	< 10 W (24 V)	< 1.5 W (24 V)
Signal input		Trigger		-
Digital interface		RS422 / USB/ PROFINET/ EtherNet/IP <sup>[3]</sup>		IO-Link 1.1; process data, parameter set up and diagnostics
Analog output		4 ... 20 mA (16 bit, freely scalable within the measuring range)		-
Connections		Supply/signal: M12 screw/plug connection 8-pin A-coded		Supply/signal: 12 pin M4 screw/plug connection
Mounting		Screwing and adjustment on sensor base plate		
Temperature range	Storage	-25 ... +70 °C (non-condensing)		
	Operation	-10 ... +50 °C (non-condensing)	-40 ... +65 °C (non-condensing)	-10 ... +50 °C (non-condensing)
Control and indicator elements		2x LED for power, signal strength		

<sup>[1]</sup> Depends on target reflectivity, ambient light influences and atmospheric conditions

<sup>[2]</sup> Measurement frequency of 20 Hz, moving average 10

<sup>[3]</sup> Connection via interface module (see accessories)

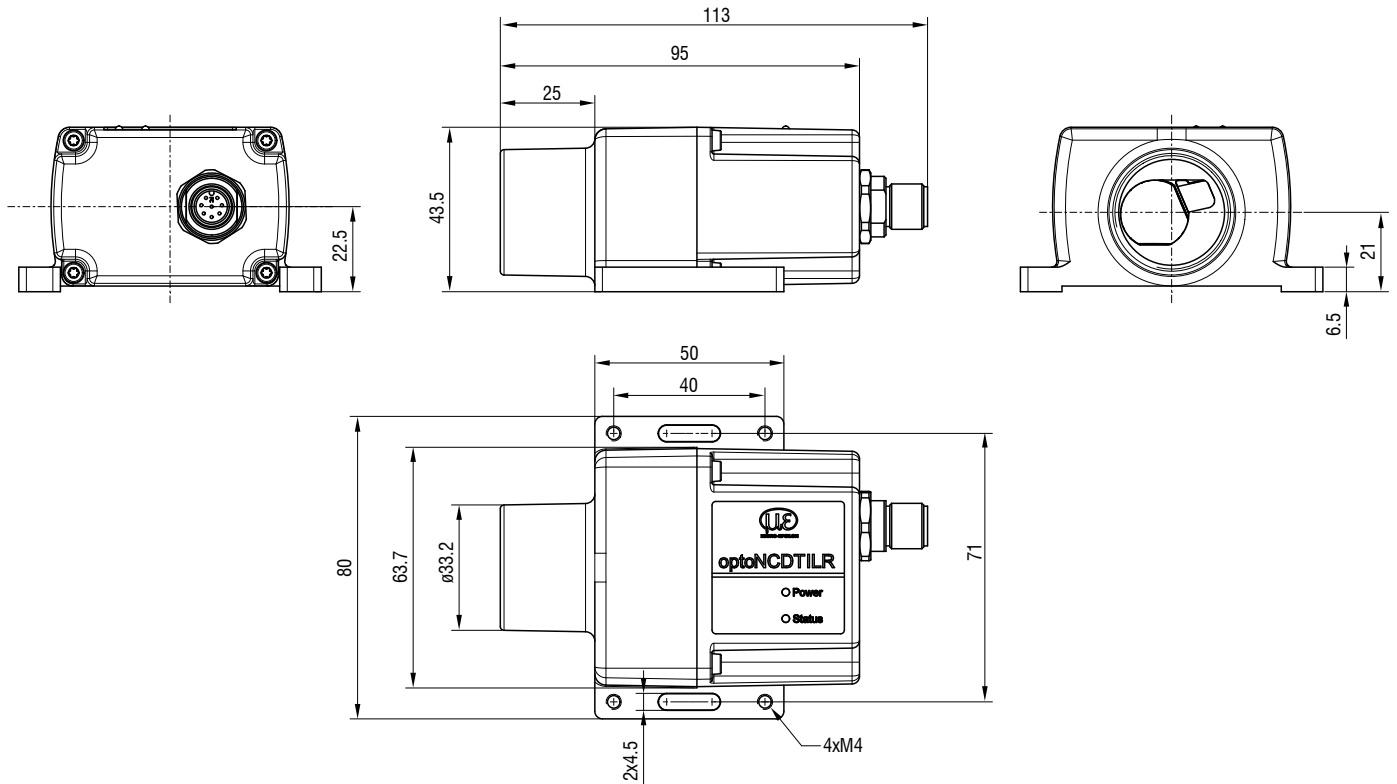
**PRELIMINARY**

# optoNCDT ILR3800-100

Powerful laser distance sensor



## Dimensions:



(Dimensions in mm, not to scale)