

# 250 A $1\,000\text{ V}$

$U_{MAX}$

## DECONTACTOR™ DS2



IP66  
IP67



70-95 mm<sup>2</sup> (1)  
70-120 mm<sup>2</sup> (2)



METAL



IK10



-40 °C  
+60 °C



AC-22  
AC-23



60309-1  
60309-4  
60947-3



6 AUX (3)

(1) Flexible wiring (min.-max.).  
(2) Stranded wiring (min.-max.).  
(3) Flexible wiring : 2,2 mm<sup>2</sup>.

### LOAD-BREAK CAPABILITY OF THE DECONTACTOR™

Comply with IEC/EN 60309-1 and IEC/EN 60309-4 standards	(250 A/500 V) or (200 A/690 V)
Load-break capability according to IEC/EN 60947-3/AC-22	(250 A/400 V) or (125 A/690 V)
Load-break capability according to IEC/EN 60947-3/AC-23	160 A/440 V
Short-circuit current I <sub>cc</sub>	10 kA



Other configurations on request

**SOCKET-OUTLET**  
female  
DS2



**INLET** male  
DS2













380-440 V AC	3P+E	3924013	3928013
220-250 V AC 380-440 V AC	3P+N+E	3924017	3928017
660-690 V AC	3P+E	3924193	3928193
380-400 V AC 660-690 V AC	3P+N+E	3924197	3928197
1 000 V AC*	3P+E	3924223	3928223
Auxiliaries 5 A/400 V AC	+ 2 contacts	Ref. + 972	Ref. + 972
Auxiliaries 5 A/400 V AC	+ 4 contacts**	Ref. + 174	Ref. + 174
Auxiliaries 5 A/400 V AC	+ 6 contacts**	Ref. + 976	Ref. + 976



► Other currents, voltages, frequencies and contact configurations are available (see page 14).


\* without breaking capacity.

\*\* These versions cannot be ordered with neutral.

OPTIONS	Section de câblage	Reference
<b>LOCKING PIN FOR 2 PADLOCKS Ø 4 TO 8 mm (PADLOCKS NOT SUPPLIED)</b>		
		Socket-outlet ref. +843
<b>SAFETY HASP FOR UP TO 6 PADLOCKS</b>		
		399A541
<b>ALLEN-SCREW LOCKING LATCH</b>		
Direct latch locking, no padlocking option.		Ref. socket + 22
<b>INLET CAP IP66/IP67</b>		
		392A426
<b>IP40 SELF RETURNING LID (MANUAL CLOSING)</b>		
		Socket-outlet ref.+R
<b>ELECTROMAGNETIC COMPATIBILITY (EMC) (SEE DETAIL PAGE 309)</b>		
		Ref. socket and metal connector +EMC
<b>PADLOCKING/ELECTRO-MECHANICAL INTERLOCKING</b>		<b>AVAILABLE SOON</b>
		Socket-outlet reference+MOD. Check out the details on page 304
<b>CABLE AMPLIFIER LUGS</b>		
	Flexible 120 mm <sup>2</sup> Stranded 150 mm <sup>2</sup>	392A277150 <sup>(1)</sup>
<b>CABLE AMPLIFIER LUGS</b>		
	Flexible 150 mm <sup>2</sup> Stranded 185 mm <sup>2</sup>	392A277185 <sup>(1)</sup>
<b>SPACERS (BETWEEN THE WALL BOX OR PANEL)</b>		
	Depth 68 mm	577M0-68
	Depth 115 mm	577M0-115

(1) When using cable amplifier lugs, we recommend to use spacers (between the wall or panel) for some of the accessories. Contact us for choosing the right accessories.

SLEEVE	Reference	EMC Option
<b>METAL SLEEVE</b>		
	0° (Straight)	596M0 Ref. +EMC
	60°	596M6 Ref. +EMC


BOXES	Input	Ref.	EMC Option
<b>METAL BOX (+ EARTHING WIRE) + METAL SLEEVE + CORNET</b>			
	60°	M50	596E6M50 Ref. +EMC
	60°	M63	596E6M63 Ref. +EMC
	60°	M75	596E6M75 Ref. +EMC


Cable glands are not delivered with the boxes.


HANDLE	Input/ Cable outer Ø	Reference	EMC Option
<b>ELASTOMER HANDLE WITH GLAND</b>			
	25-35 mm	556P0D35	/
	35-45 mm	556P0D45	/
	45-49 mm	556P0D49	/
<b>POLY HANDLE + POLY CABLE GLAND</b>			
	35-48 mm	516P063P	/
<b>POLY HANDLE (WITHOUT CABLE GLAND)</b>			
	M63	516P0M63	/
	M75	516P0M75	/
<b>POLY HANDLE WITH GLAND</b>			
	/	516P0D63	/

For mechanical clamp without IP level

METAL HANDLE WITH INTEGRATED CABLE CLAMP	Reference	EMC Option
<b>AVAILABLE SOON</b>		
	40-50	5K6P0D50 /
	51-60	5K6P0D60 /
	61-70	5K6P0D70 /
	71-80	5K6P0D80 /

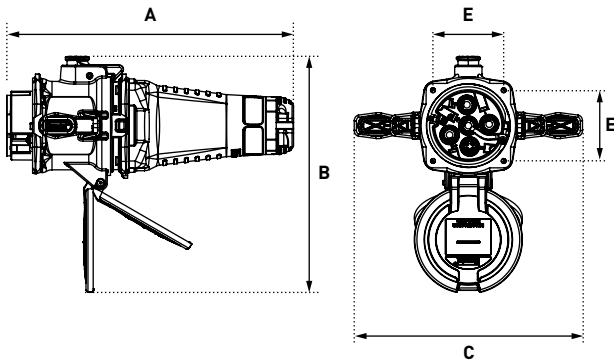
METAL HANDLE WITH INTEGRATED CABLE CLAMP	Reference	EMC Option
	40-54 mm	596P0D54 /
	54-63 mm	596P0D63 /

METAL HANDLE METRIC THREAD ENTRY (WITHOUT CABLE GLAND)	Reference	EMC Option
	M50	596P0M50 Ref. +EMC
	M63	596P0M63 Ref. +EMC
	M75	596P0M75 Ref. +EMC

METAL HANDLE METRIC THREAD ENTRY (WITHOUT CABLE GLAND) - LARGE SIZE	Reference	EMC Option
	M63	796P0M63 Ref. +EMC
	M75	796P0M75 Ref. +EMC

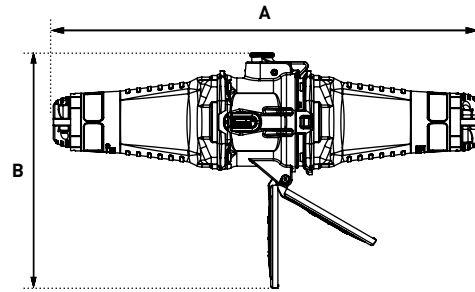
# DRAWINGS AND DIMENSIONS

PLUG ON SOCKET-OUTLET



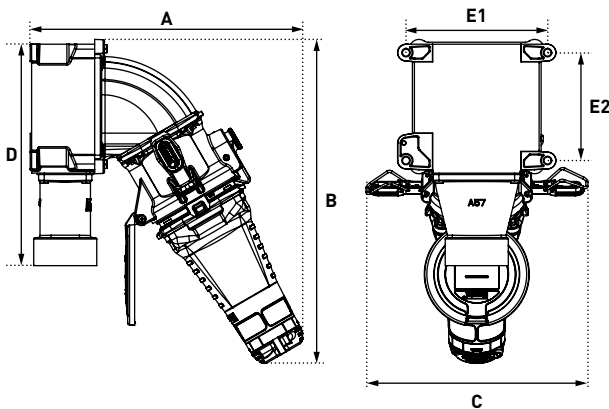
A	B	C	E
398	327	316	98

COUPLER



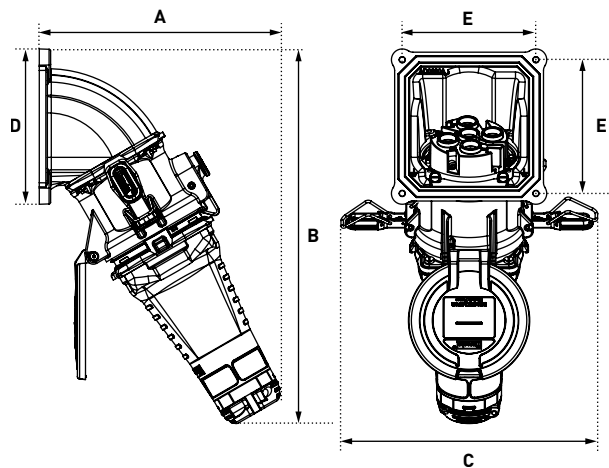
A	B
590	327

PLUG ON 60° WALL BOX MOUNTED SOCKET OUTLET



A	B	C	D	E1	E2
389	462	305	316	202	154

PLUG ON 60° INCLINED SOCKET OUTLET



A	B	C	D	E
283	462	305	192	165

