

## Model GL42 Low Differential Indicating Pressure Transmitter



### FEATURES:

- **Excellent Long Term Stability**
- **Four Digit LCD Display**
- **Field-Selectable Units (i.w.c., pascal, millibar)**
- **4-20 mA Output (2-wire)**
- **IP65 Housing**
- **Wall, Panel or DIN Rail Mountable Versions**
- **Adjustable Display Response Time- 250msec, 1sec, 2sec or 5sec**
- **Optional NIST Traceable Calibration Chart**

### APPLICATIONS:

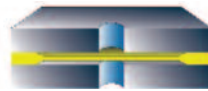
The GL42 model utilizes Ashcroft's proven Si-Glas™ silicon variable capacitance sensor technology, ideal for applications where reliable, low differential pressure measurement is required with pressure from ±0.05" W.C. to 0 to 25.00" W.C.

### TYPICAL APPLICATIONS:

- **Filter monitoring**
- **Flow measurement**
- **Clean room monitoring**
- **Fume hoods**

Featuring a highly reliable variable capacitance sensor using the patented Ashcroft® SiGlas® sensor. This ultra-thin single crystal diaphragm provides inherent sensor repeatability and stability.

#### SENSOR CROSS SECTION



The silicone diaphragm sensor has no glues or other organics to contribute to drift or mechanical degradation over time.

### PERFORMANCE SPECIFICATIONS

**Reference condition:** 77°F (25°C)

**Accuracy\*:** ±0.50% or ±1.00% F.S. (URL)

(\* includes linearity, hysteresis and repeatability)

**Repeatability:** ≤ ±0.1 % F.S.

**Stability:** < / = 0.5% F.S. / Year

**Zero / Span Adjustment:** ±5% F.S.

**Standard-Ranges (Unidirectional):**

0.10" to 25.00" in H<sub>2</sub>O

(See Pressure Range & Engineering Unit Table)

**Standard-Ranges (Bidirectional):**

±0.05" to ±15.0" in H<sub>2</sub>O

(See Pressure Range & Engineering Unit Table)

### ENVIRONMENTAL SPECIFICATIONS

**Enclosure Rating:** IP65

**Temperature Limits:**

**Operating:** -4/158°F (-20/70°C)

**Storage:** -40/194°F (-40/90°C)

**Compensated:** 35/129°F (2/54°C)

(10-90% R.H. non-condensing)

**Temperature Coefficients:**

**Zero & Span**

±0.06% / K within 35/129°F (2/54°C)

Ref. 77°F (25°C)

### FUNCTIONAL SPECIFICATIONS

**Static (line) Pressure:** All Pressure Ranges

Proof: 14.5 psi (1 bar)

Burst: 24.65 psi (1.7 bar)

Max. Static: 24.65 psi (1.7 bar)

### ELECTRICAL SPECIFICATIONS

**LCD Display:** 4 Digit

**LCD Screen Dimensions:**

Width: 1.77" (45mm) / Height: 0.75" (19mm)

**LCD Character Size:**

Height: 0.21" (5.4mm) / Width: 0.45" (11.5mm)

**Output Signal:** 4-20 mA ( 2 wire)

**Supply Voltage:** 19-36 Vdc (Nominal 24 Vdc)

**Rangeability / Adjustment:** Zero: ±33% F.S.

**CE-Compliance:** EN 61000-4-2, EN 61000-4-3

### MECHANICAL SPECIFICATIONS

1/8" Female NPT or 1/4" Male Barbed Fitting

**Electrical Connection:**

1/2" Female DIN Cable Conduit (Standard)

PG9 Cable Gland (Option)

**Enclosure:** Nylon

**Cable Connection Socket:** Nylon

**Front Foil:** Polyester

**Electrical Connection:** Screw Terminal

**Weight:** 9.9 oz (308 g)

**Mounting:** Wall Mount (Standard)

**DIN Rail (Option):**

EN 50022 / EN 50035 / EN 50045

**Panel Mount (Option)**

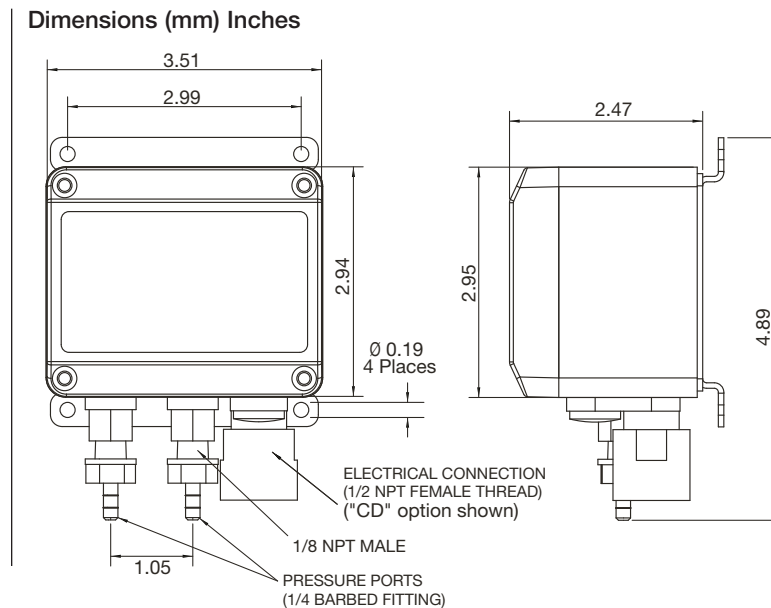
**Sensor Material:** Silicon / Aluminum / Glass

**Media:** Clean, Dry Air / Non-Corrosive Gas



**TWO YEAR WARRANTY**

## Model GL42 Low Differential Indicating Pressure Transmitter



TYPE	ACCURACY	PROCESS CONNECTION	OUTPUT SIGNAL	ELECTRICAL TERMINATION	MOUNTING	PRESSURE RANGE & ENGINEERING UNIT		OPTIONS
						INCHES OF H <sub>2</sub> O	Pa/kPa	
GL42	(5) 0.5%	(F01) ½ Female NPT	(42) 4/20mA	(CD) ½ NPT Female Conduit	(W) Wall	<b>Unidirectional</b> (P1IW) 0.10 (P25IW) 0.25 (P5IW) 0.50 (P75IW) 0.75 (1IW) 1.00 (2IW) 2.00 (2P5IW) 2.50 (3IW) 3.00 (5IW) 5.00 (10IW) 10.00 (15IW) 15.00 (25IW) 25.00	<b>Unidirectional</b> (25PA) 25.00 (50PA) 50.00 (60PA) 60.00 (100PA) 100.00 (125PA) 125.00 (160PA) 160.00 (200PA) 200.00 (250PA) 250.00 (300PA) 300.00 (400PA) 400.00 (500PA) 500.00 (600PA) 600.00 (1KPA) 1.00 (1P6KPA) 1.60 (2KPA) 2.00 (2P5KPA) 2.50 (4KPA) 4.00 (5KPA) 5.00 (6KPA) 6.00	(NH) Stainless Steel Tag with Customer Supplied Information
	(7) 1.00%	(MB2) ¾ Male Barbed Fitting		(CG) Cable Gland	(D) DIN-Rail	<b>Bidirectional</b> (P05IWL) ±0.05 (P1IWL) ±0.10 (P25IWL) ±0.25 (P5IWL) ±0.50 (P75IWL) ±0.75 (1IWL) ±1.00 (2IWL) ±2.00 (5IWL) ±5.00 (10IWL) ±10.00 (15IWL) ±15.00	<b>Bidirectional</b> (25PAL) ±25.00 (50PAL) ±50.00 (60PAL) ±60.00 (100PAL) ±100.00 (125PAL) ±125.00 (160PAL) ±160.00 (200PAL) ±200.00 (250PAL) ±250.00 (300PAL) ±300.00 (400PAL) ±400.00 (500PAL) ±500.00 (600PAL) ±600.00 (1KPL) ±1.00 (1P6KPL) ±1.60 (2KPL) ±2.00 (2P5KPL) ±2.50 (4KPL) ±4.00 (5KPL) ±5.00 (6KPL) ±6.00	(HK) Panel Mount (Note: Only provided when ordered with 'W' wall mount version)  (RH) 9-Point NIST Traceable Calibration Certificate

### HOW TO ORDER

TYPE	ACCURACY	PROCESS CONNECTION	OUTPUT SIGNAL	ELECTRICAL TERMINATION	MOUNTING	PRESSURE RANGE	OPTIONS
GL42	5	MB2	42	CD	W	25IW -	XRH

All specifications are subject to change without notice.  
All sales subject to standard terms and conditions.  
© Ashcroft Inc. 2015 10/15

Ashcroft Inc., 250 East Main Street, Stratford, CT 06614 USA  
Tel: 203-378-8281 • Fax: 203-385-0408  
email: info@ashcroft.com • www.ashcroft.com