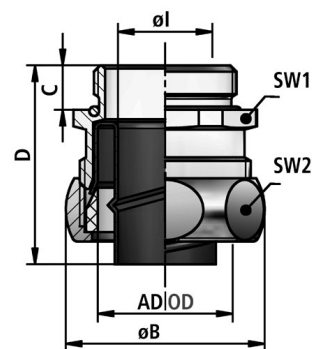


US-M | metric thread

Connectors

Metal connector, safety-type, straight, metric outer thread, incl. ferrule [brass | plastics], sealing [TPE] and O-ring [NBR]



Temperature: -40°C ... +125°C

Material: nickel-plated brass

Protection class [acc. to EN 60529]: IP00



FLEXA No.	OD [mm]	Thread type	Conduit DI	Conduit OD	ø 1 [mm]	ø B [mm]	C [mm]	D [mm]	WS1 [mm]	WS2 [mm]	Weight [kg/100]	PU [pcs.]
15010327010	10,0	M 10 x 1,0	8,0	10,0	6,5	19,0	10,0	31,0	15	17	1,390	50
15010327012	14,0	M12 x 1,5	11,0	14,0	9,0	23,0	10,0	33,0	19	21	2,140	50
15010327016	17,0	M16 x 1,5	14,0	17,0	12,5	27,0	10,0	33,0	23	25	3,000	50
15010327020	21,0	M20 x 1,5	18,0	21,0	16,0	31,0	10,0	33,0	27	29	3,940	50
15010327025	27,0	M25 x 1,5	23,0	27,0	21,0	39,0	11,0	41,0	34	36	7,500	25
15010327032	36,0	M32 x 1,5	31,0	36,0	27,5	48,0	14,0	43,0	43	45	11,300	25
15010327040	45,0	M40 x 1,5	40,0	45,0	35,0	57,0	13,0	43,0	52	54	15,000	20
15010327050	56,0	M50 x 1,5	51,0	56,0	45,0	70,0	15,5	49,0	63	66	21,800	10
15010327163	56,0	M63 x 1,5	51,0	56,0	49,0	74,0	14,0	49,0	70	70	27,100	10
15010827010	10,0	M 10 x 1,0	8,0	10,0	6,5	19,0	10,0	31,0	15	17	1,390	10
15010827012	14,0	M12 x 1,5	11,0	14,0	9,0	23,0	10,0	33,0	19	21	2,140	10
15010827016	17,0	M16 x 1,5	14,0	17,0	12,5	27,0	10,0	33,0	23	25	3,000	10
15010827020	21,0	M20 x 1,5	18,0	21,0	16,0	31,0	10,0	33,0	27	29	3,940	10
15010827025	27,0	M25 x 1,5	23,0	27,0	21,0	39,0	11,0	41,0	34	36	7,500	10
15010827032	36,0	M32 x 1,5	31,0	36,0	27,5	43,0	14,0	43,0	43	45	11,300	2
15010827040	45,0	M40 x 1,5	40,0	45,0	35,0	57,0	13,0	43,0	52	54	15,000	2
15010827050	56,0	M50 x 1,5	51,0	56,0	45,0	70,0	15,5	49,0	63	66	21,800	2
15010827163	56,0	M63 x 1,5	51,0	56,0	49,0	74,0	14,0	49,0	70	70	27,100	2

Recommendations for any areas of applications, products, or product combinations are issued to the best of FLEXA's knowledge and experience. The user is requested to check applicability of FLEXA products to specific applications and purposes prior to the use of the particular products. All documentation, illustrations, and charts published are subject to copyright and must not be copied, changed, used, or modified. Technical drawings, certificates, authorizations, and results by the FLEXA lab will be provided upon request. FLEXA will not be held liable for typographical or other errors and incorrect drawings. Technical modifications are subject to change without prior notice.