

EG-M | metric thread

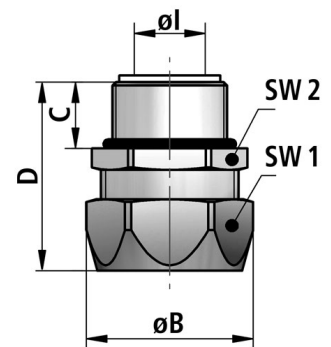
Connectors

Metal connector, straight, metric outer thread, incl. ferrule and sealing

Temperature: -45°C ... +105°C

Material: nickel-plated brass

Protection class [acc. to EN 60529] IP67



FLEXA No.	OD [mm]	Thread type	Conduit DI	Conduit OD	Ø I [mm]	Ø B [mm]	C [mm]	D [mm]	WS1 [mm]	WS2 [mm]	Weight [kg/100]	PU [pcs.]
10608000012	1/4 inch	M12 x 1,5	7,0	11,4	5,2	24,5	10,0	33,0	22	20	4,800	10
10608000116	5/16 inch	M16 x 1,5	10,0	14,5	8,3	29,0	12,0	35,0	26	24	4,800	10
10608000016	3/8 inch	M16 x 1,5	12,5	18,0	10,2	29,0	12,0	35,0	26	24	4,800	10
10608000120	5/16 inch	M20 x 1,5	10,0	14,5	8,3	29,0	13,0	36,0	26	24	5,100	10
10608000020	3/8 inch	M20 x 1,5	12,5	18,0	10,2	29,0	13,0	36,0	26	24	5,100	10
10608000021	1/2 inch	M20 x 1,5	16,0	21,0	13,9	32,7	13,0	37,0	29	27	5,900	10
10608000025	3/4 inch	M25 x 1,5	21,0	26,5	18,5	38,7	15,0	40,0	35	33	7,900	5
10608000032	1 inch	M32 x 1,5	26,5	33,0	23,8	50,0	15,0	46,0	45	43	17,500	5
10608000040	1 1/4 inch	M40 x 1,5	35,5	42,0	31,8	60,0	16,0	52,0	54	52	27,900	2
10608000063	2 inch	M63 x 1,5	51,5	60,0	47,8	85,0	20,0	66,0	77	74	73,500	2

Recommendations for any areas of applications, products, or product combinations are issued to the best of FLEXA's knowledge and experience. The user is requested to check applicability of FLEXA products to specific applications and purposes prior to the use of the particular products. All documentation, illustrations, and charts published are subject to copyright and must not be copied, changed, used, or modified. Technical drawings, certificates, authorizations, and results by the FLEXA lab will be provided upon request. FLEXA will not be held liable for typographical or other errors and incorrect drawings. Technical modifications are subject to change without prior notice.